



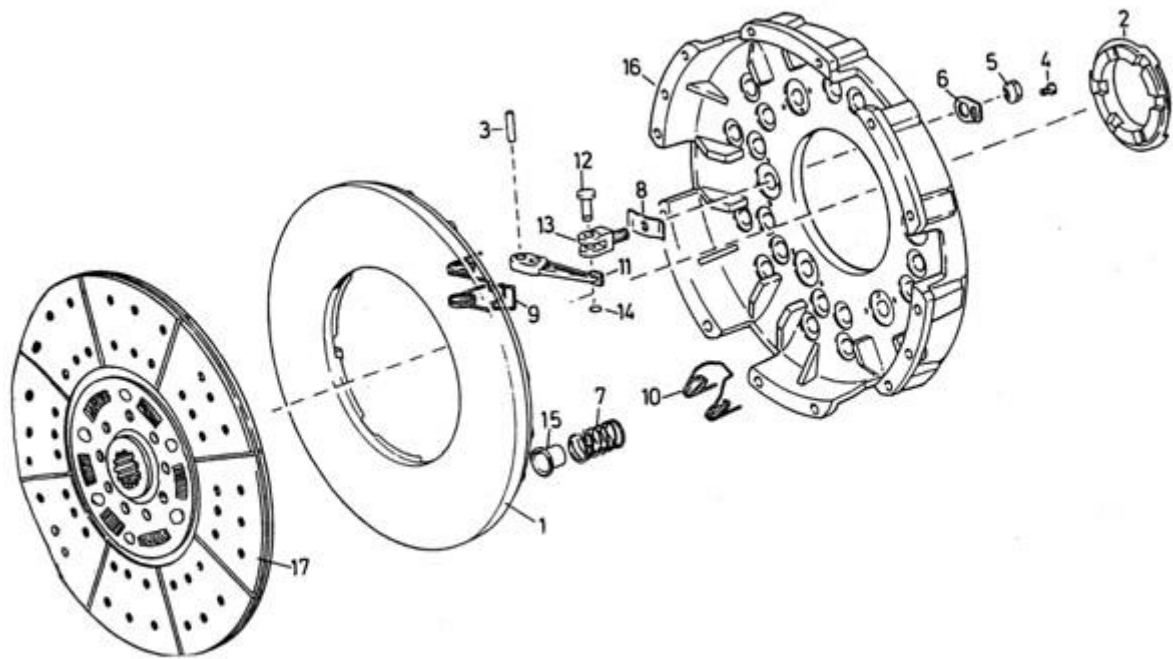
# **SINOTRUK**

## **HOWO CLUTCH SPARE**

### **PARTS CATALOG**

## INDEX

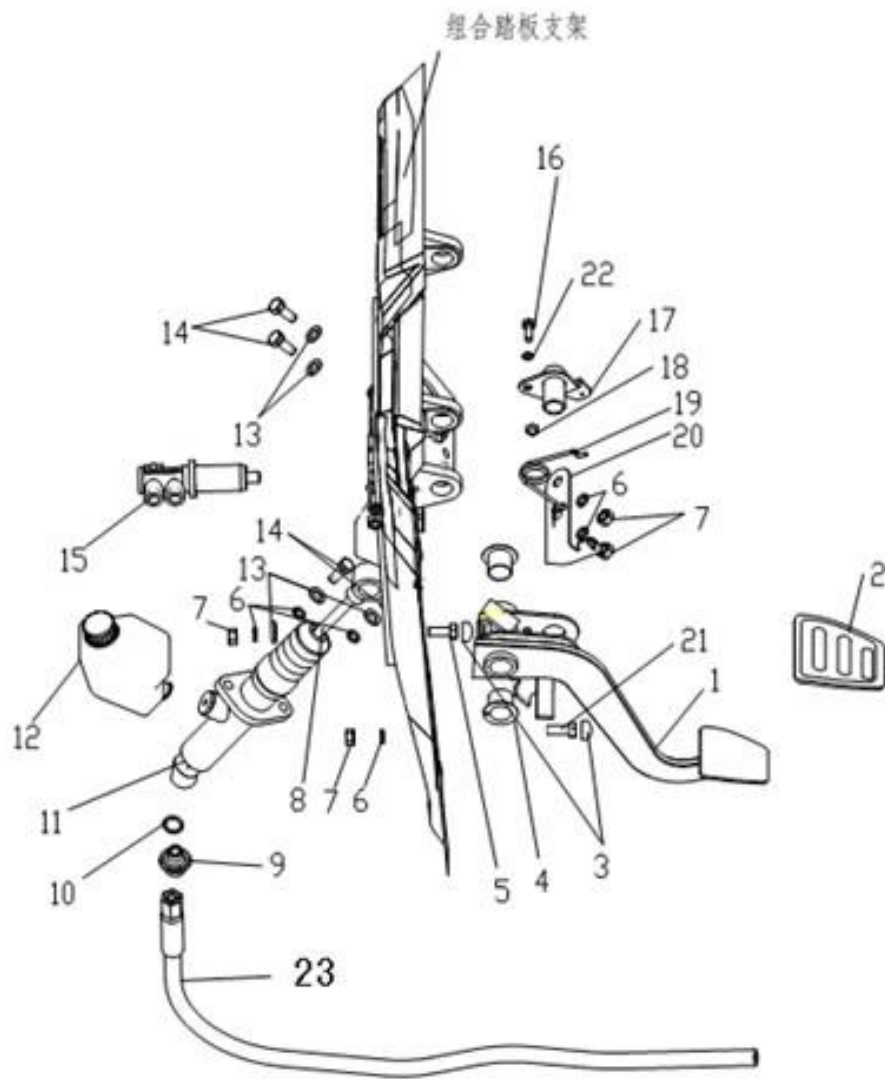
Clutch Control System	Page 3
Clutch Control Mechanism	Page 5
Clutch Control Mechanism on Chassis	Page 7



### Clutch Control System

Serial	Part Number	Part Name
0	BZ1560161090	Pressure plate
0	BZ9114160013	Pressure plate
1	BZ1560161093	Pressure plate
2	BZ1560161212	Thrust ring
3	BZ1560161100	Separation lever pin
4	BZ1560161119	Hex Bolts
5	BZ1560161112	Adjusting nut
6	BZ1560161113	Locking plate
7	BZ1560161115	Pressure plate spring
7a	BZ1560161116	Pressure plate spring
8	BZ1560161097	Spring leaf
9	BZ1560161081	Spring assembly

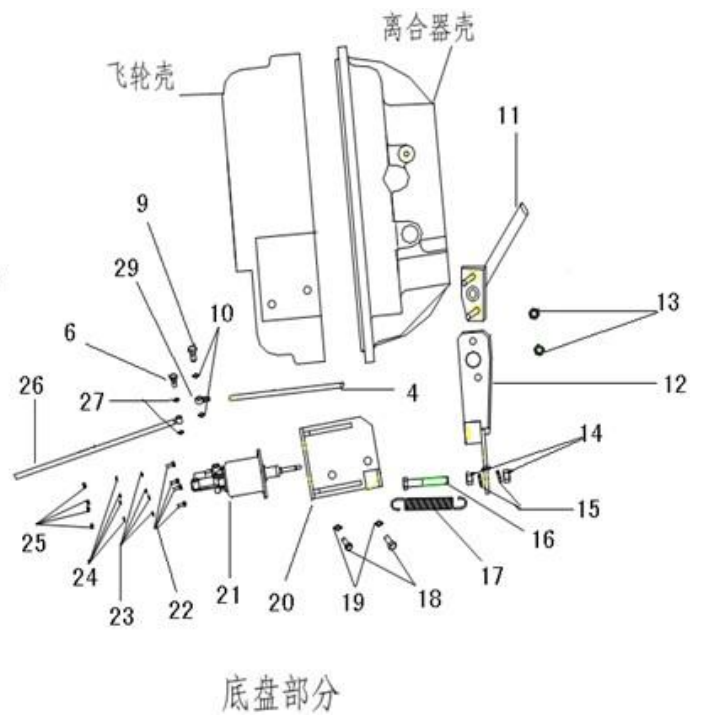
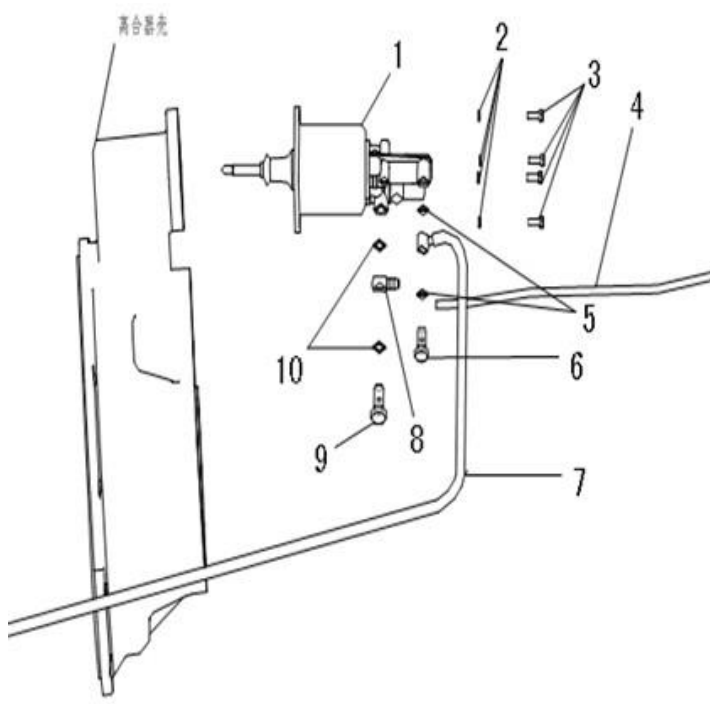
10	BZ1560161084	Separation spring
11	BZ1560161096	Separation lever
12	BZ1560161114	Connecting pin
13	BZ1560161108	Adjustment fork
14	Q43710	Wire retaining ring
15	BZ1560161117	Spring seat
16	BZ1560161125	Clutch cover
17	-	Clutch disk



Clutch Control Mechanism

Serial	Part Number	Part Name
1	AZ9719230045	Clutch pedal
2	AZ9123230226	Pedal rubber cover
3	AZ9123360067	Plug
4	AZ9719360060	bushing
5	Q150B0845	Hexagon head bolts
6	Q40308	Spring washer
7	Q340B08	Nut

8	AZ9719230016	Clutch master cylinder push rod
9	AZ9160230092	Connector body
10	Q72314T5F	Sealing washer
11	WG9719230015	Clutch master cylinder
12	WG9719230014	Oil storage tank
13	Q40108	Flat Washers
14	Q150B0820	bolt
15	WG9719230011	Clutch brake control valve
16	Q150B0615	bolt
17	AZ9719230012	Bracket welding assembly
18	Q340B06	Nut
19	AZ9719230009	Return spring
20	AZ9719230007	Spring bracket
21	Q150B0830	bolt
22	Q40306	Spring washer
23	WG9719230027	High-pressure pipeline



Clutch Control Mechanism on Chassis		
Serial	Part Number	Part Name
1	WG9114230018	Clutch booster cylinder 430
1	WG9114230023	Clutch booster cylinder 420 fuller
1	WG9114230029	Clutch booster cylinder 420 ZF S6-120
1	WG9114230030	Clutch booster cylinder 420 ZF S6-150
2	Q41208	Lock washer
3	Q150B0830	bolt
4	190003179781	tube
5	Q72314T5F	Sealing washer
6	190003962621	Hollow bolt
7	WG9719230027	High-pressure pipeline
8	WG99100270119	Hose connector
9	190003962627	Hollow bolt
10	Q72316T5F	Sealing washer
11	199112230033	Clutch fork shaft welding assembly
12	AZ9114230004	Separation rocker welding assembly
13	Q33210	Nut
14	Q340B10	Nut

15	Q41810	Elastic washer
16	AZ9160230272	Stop bolt
17	12054230100	Return spring
18	Q151B1425	bolt
19	Q40314	Spring washer
20	AZ9114230016	Booster cylinder bracket
21	WG9114230023	Clutch booster cylinder
22	Q150B0825	bolt
23	Q40108	Flat Washers
24	Q40308	Spring washer
25	Q340B08	Nut
26	WG9123230026	High-pressure pipeline
27	Q72314T5F	Sealing washer