

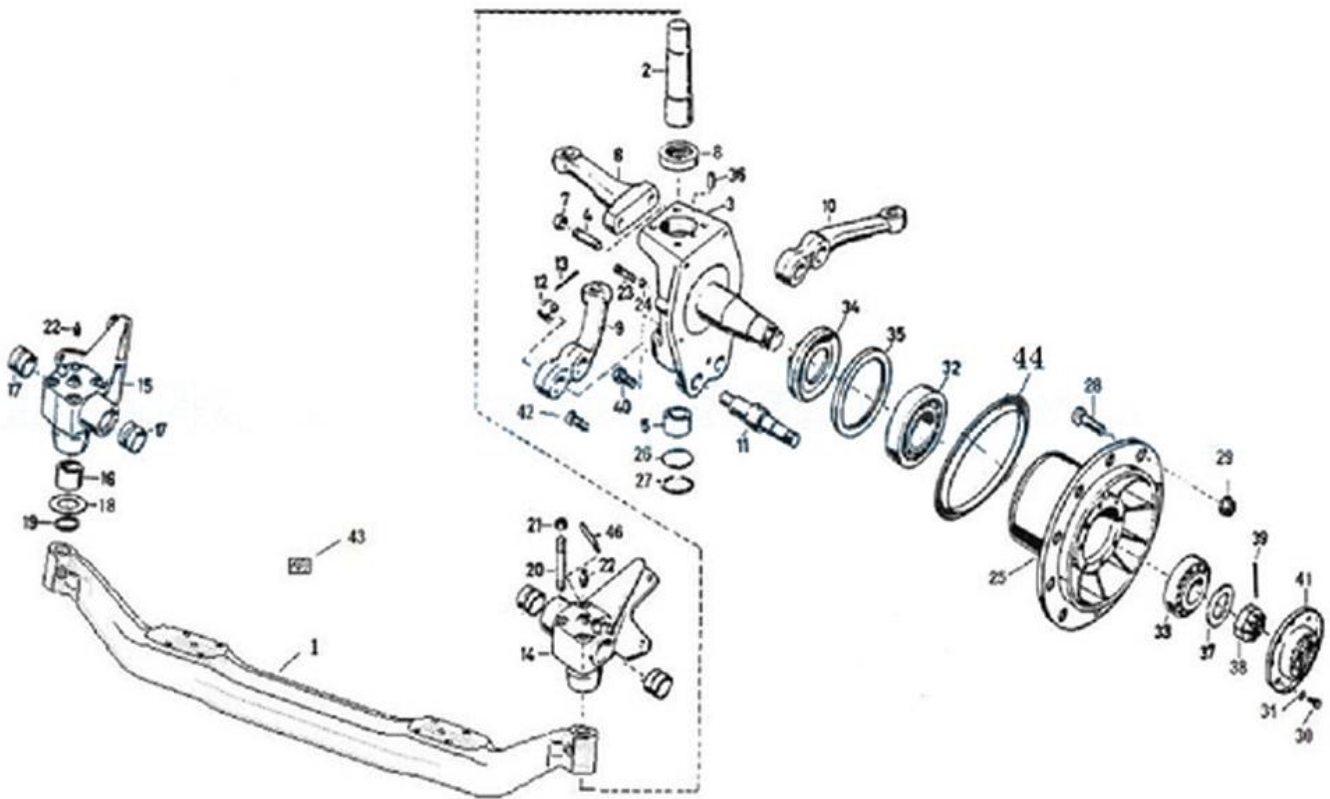


SINOTRUK

HOWO 7 & 9 TON FRONT AXLE SPARE PARTS CATALOG

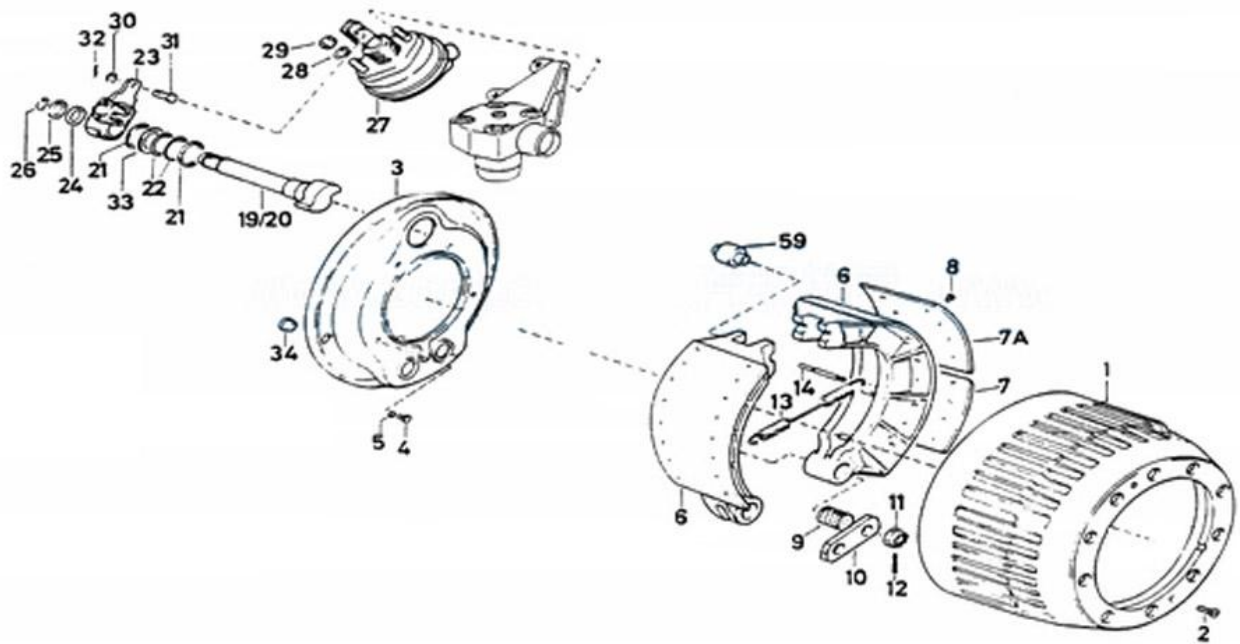
INDEX

FRONT AXLE	Page 3
BRAKE	Page 5



Serial	Name in Chinese	Name in English	Part Number
1	前轴(7T)	Front axle (7T)	AZ9719410083
1	前轴(7T)	Front axle (7T)	AZ9125411154
1	前轴 (9T)	Front axle (9T)	AZ9925410121
1	前轴(9T)	Front axle (9T)	AZ9719410093
2	转向节销	Knuckle pin	WG880 410031
3	转向节(左)	Steering knuckle (left)	AZ9112410055
3	转向节(右)	Steering knuckle (right)	AZ9112410056
4	双头螺柱	Stud stud	WG880 410060
5	衬套	bushing	WG9100410129
6	转向节臂	Knuckle arm	AZ9719410005
6	转向节臂	Knuckle arm	WG9900410001
7	自锁螺母	Self-locking nut	190003888630
8	推力滚柱轴承	thrust roller bearing	WG9700410049
9	转向横拉杆臂(左)	Steering tie rod arm (left)	AZ9719410041
10	转向横拉杆臂(右)	Steering tie rod arm (right)	AZ9719410040
11	制动蹄支承销	Brake shoe support	WG880 410038
12	六角槽形扁螺母(细牙)	Hex grooved flat nut (fine tooth)	190003872380
13	开口销	Cotter pin	Q5005050
14	支架(左)	Bracket (left)	AZ9100410033

15	支架(右)	Bracket (right)	AZ9100410037
16	衬套	bushing	WG9100410035
17	复合衬套	Compound bush	WG9100340017
18	垫圈	Washer	WG880 410094
18	垫圈	Washer	1880 410095
18	垫圈	Washer	1880 410096
18	垫圈	Washer	WG880 410097
18	垫圈	Washer	1880 410104
18	垫圈	Washer	1880 410105
18	垫圈	Washer	1880 410106
18	垫圈	Washer	1880 410107
18	垫圈	Washer	1880 410108
19	O 型密封圈	O type sealing ring	WG880410052
20	双头螺柱	Stud stud	WG880 410075
21	自锁螺母	Self-locking nut	190003888460
22	滑脂嘴总成	Grease nipple assembly	AZ9003963004
23	调整螺钉	Adjusting screw	WG880 410059
24	六角薄螺母	Hex nut	Q351B14T15
25	前轮 b	Front wheel bub	WG9112410009
26	盖	cover	WG880 410100
27	孔用弹性档圈	Elastic ring for hole	Q43056
28	车轮螺栓	Wheel bolt	WG9100410104
29	车轮螺母	Wheel nut	WG9003884160
30	六角头螺栓	Hexagon headed bolt	Q150B0816
31	弹簧垫圈	Spring washer	Q40308
32	圆锥滚子轴承	Tapered roller bearing	190003326543
33	圆锥滚子轴承	Tapered roller bearing	190003326531
34	隔环	The spacer ring	WG99000410114
35	轴用密封圈	Sealing ring for shaft	WG9003074387
36	圆柱销	Cylindrical pin	Q5211016
37	垫片	Shim	WG9100410062
38	转向节锁紧螺母	Steering knuckle locking nut	AZ9100411140
39	开口销	Cotter pin	Q5006370
40	六角头螺栓	Hexagon headed bolt	Q151C1220
41	罩	cover	WG9100410043
42	保护套	Smart cover	WG9100410060
43	铭牌	Nameplate	WG2297Y4835
44	齿圈	Ring gear	WG9112410019



Serial	Name in Chinese	Name in English	Part Number
1	制动鼓	Brake drum	AZ9112440001
2	十字槽沉头螺钉	Cross recessed countersunk head screw	Q2541025
3	制动器防尘罩	Brake dust cover	WG9112440006
4	六角头螺栓	Hexagon headed bolt	Q150B0816
5	弹簧垫圈	Spring washer	Q40308
6	制动蹄总成	Brake shoe assembly	AZ9100440018
7	T/制动摩擦片	Brake lining	WG9100440029
8	铆钉	rivet	WG9231340068
9	衬套	bushing	WG880440006
10	限位板	Limit plate	WG880440008
11	六角槽形扁螺母（细牙）	Hex grooved flat nut (fine tooth)	190003872370
12	开口销	Cotter pin	Q5005045
13	回位弹簧	Return spring	AZ9100440061
14	回位弹簧销	Return spring pin	WG1218G85
19	制动凸轮轴（左）	Brake camshaft (left)	199100440000
20	制动凸轮轴（右）	Brake camshaft (right)	199100440000
21	附加垫片	Additional shim	1880 440010
21	附加垫片	Additional shim	AZ9100440011
21	附加垫片	Additional shim	AZ9100440012
22	O 型密封圈	O type sealing ring	1880 340023
23	制动间隙自动调整臂	Adjusting arm	WG9100440023
24	垫圈	Washer	WG880340022

25	调整垫圈	Adjusting washer	WG80 320029
25	调整垫圈	Adjusting washer	WG80 320030
25	调整垫圈	Adjusting washer	WG80 320046
25	调整垫圈	Adjusting washer	WG80 320028
26	轴用弹簧挡圈	Spring retainer ring for shaft	190003933120
27	24"膜片式制动气室（左）	24 diaphragm brake chamber (left)	WG9000360100
28	外锯齿锁紧垫圈	Outer serrated lock washer	Q41216
29	1 型六角螺母	Hex nut	Q340B16
30	平垫圈	Flat washer	Q40114
31	销轴	Pin shaft	Q5101440
32	开口销	Cotter pin	Q5004022
33	隔套	Sleeve	1880 440015
34	密封圈	Seal ring	1880 340037
59	滚轮	Roller	WG9100440021
23a	自动调整臂支架	Automatic adjusting arm support	AZ9100349994
24b	自动调整臂支架	Automatic adjusting arm support	AZ9100349995
25c	六角头螺栓	Hexagon headed bolt	Q150B0818
26d	自锁螺母	Self-locking nut	Q33408
27a	24"膜片式制动气室（右）	24 diaphragm brake chamber (right)	WG9000360101
7a	T/制动摩擦片	Brake lining	WG9100440027