



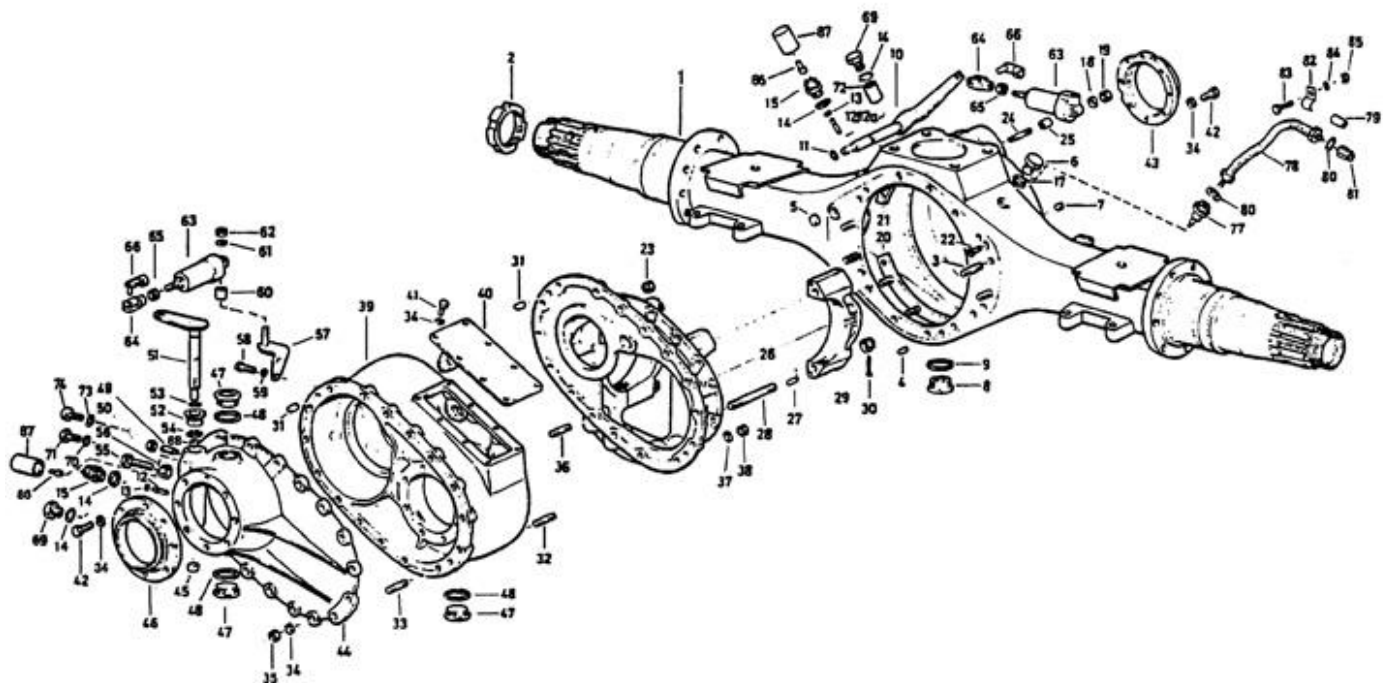
# **SINOTRUK HOWO**

## **STR AXLE**

### **SPARE PARTS CATALOG**

# INDEX

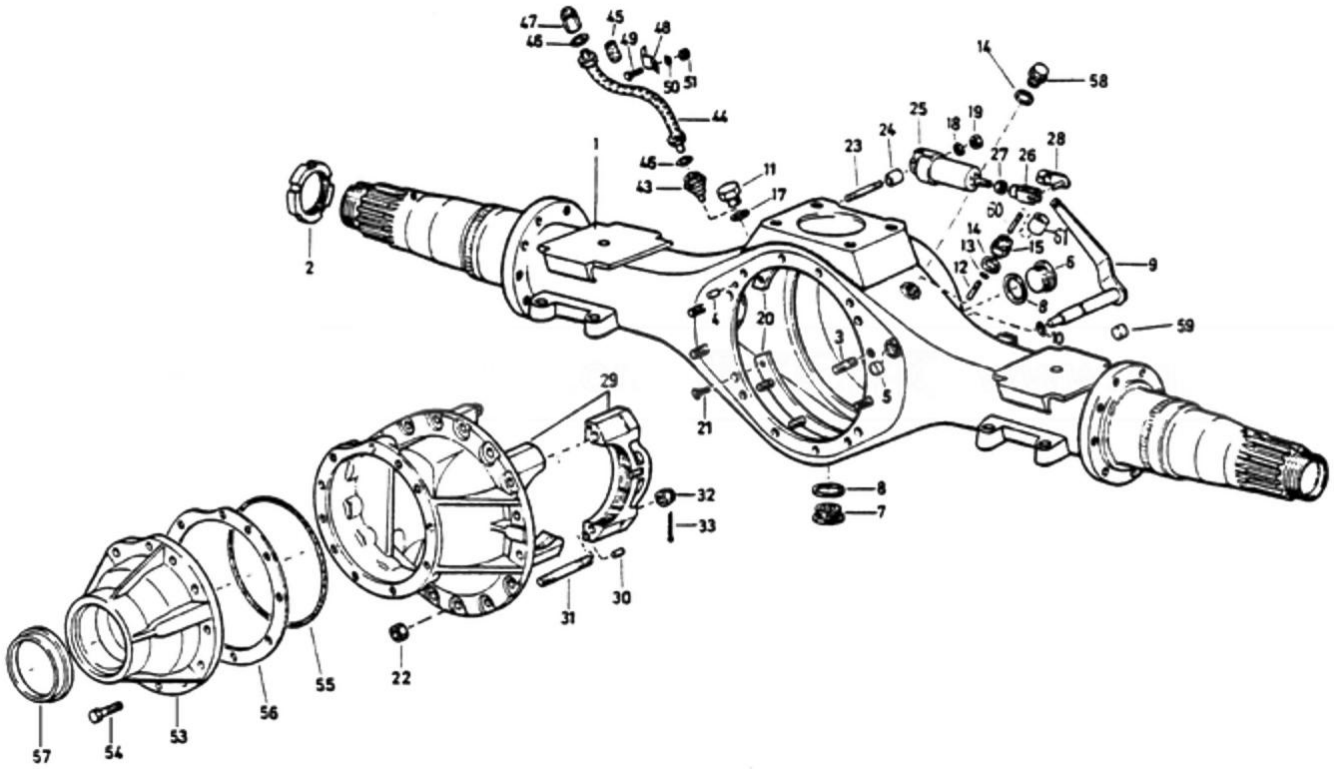
1 <sup>st</sup> Driving Axle Housing	Page 3
2 <sup>nd</sup> Driving Axle Housing	Page 6
1 <sup>st</sup> Driving Axle Driving Device	Page 8
2 <sup>nd</sup> Driving Axle Driving Device	Page 12
Wheel Reduction	Page 15
Brake	Page 17



Serial	Part Number	Product Name
1	AZ9231332208	ABS in the bridge shell assembly
1	AZ9231330208	In the bridge shell assembly
1	26013330308	ABS in the bridge shell assembly
1	26013330208	In the bridge shell assembly
2	1680340013	Garden nut (right)
3	190003810631	Double studs -M12-M12 * 1.5 * 30
4	Q5211016	Column pin
5	190003989290	Bowl blockage
6	199000330006	Vent plug assembly
7	190003962021	Taper thread Hexagon socket head cap screws
8	1586330015	Magnetic plug assembly
9	Q72336	Sealing washers
10	199014330126	Joystick assembly

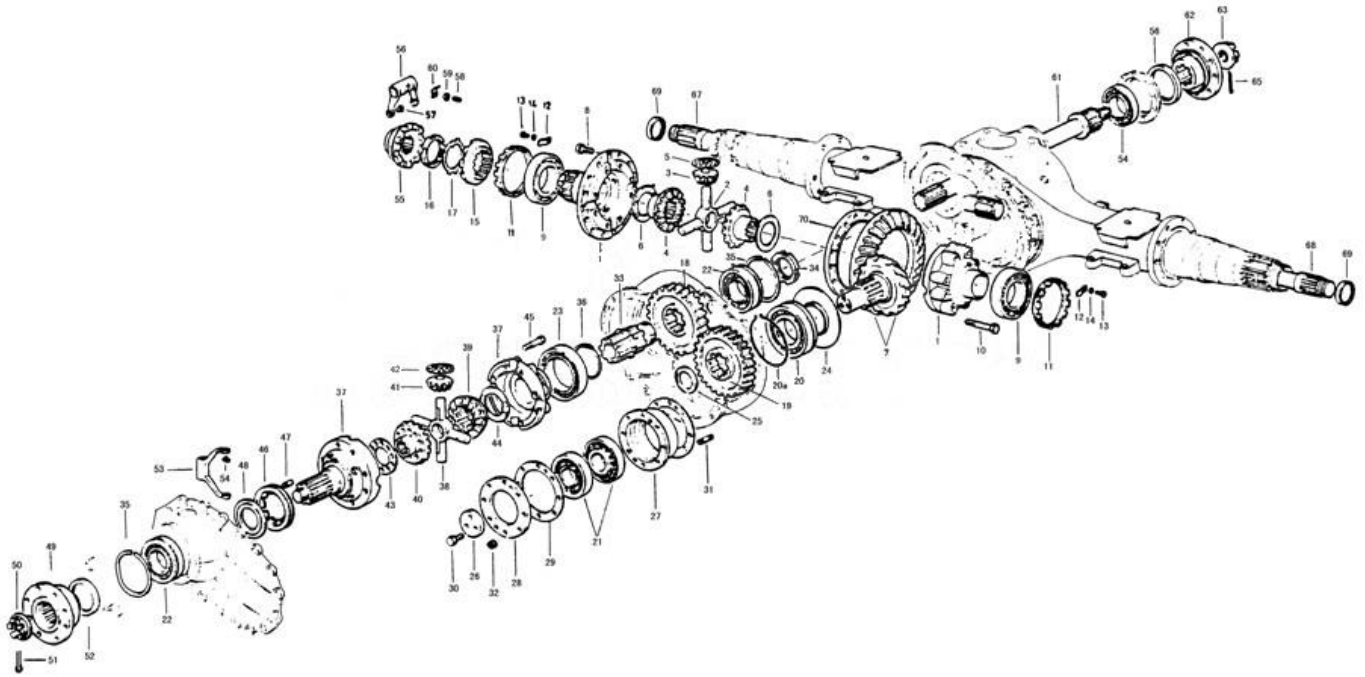
12	BZ9100330010	pin
12	169000330009	pin
12	169000330008	pin
13	Q72318T5F	Sealing washers
14	Q72318T5F	Sealing washers
15	WG9100710003	Pressure Switch
18	Q40108	Flat Washers
19	Q33208	All metal hexagonal locking nut
20	199014330146	Arched card assembly (below)
21	199014330147	Bow-shaped fixed card assembly (on)
22	Q2540820	Cross recessed countersunk head screws
23	190003888457	Self-locking nut M12 * 1.5
24	Q1200850F3	Stud studs
25	161000060084	Interval bushings
26	199014320120	Main reducer shell
27	Q5210820	Column pin
28	Q12316120	Stud studs
29	190003888459	Self-locking nuts
32	190003813628	Stud studs
33	Q1201028173	Stud studs
34	Q40310	Spring washers
35	Q340810	Hex nuts
36	Q1201225F3	Stud studs
37	Q40312	Spring washers
38	Q340812	L hex nuts
39	199014320259	Bridge box
40	199014320118	Oil plate assembly
41	Q15081020Q	Hexagon head bolts
42	Q15081025	Hexagon head bolts
43	199014320141	Bearing seat
44	199014320144	Bridge cover
45	190003989279	Bowl blockage
46	199014320175	End cover
47	18150()010163	Plug plug
48	Q72336	Sealing washers
49	190003902070	Slotted long cylindrical end with a screw
50	Q340808	Type 1 hex nuts
51	199014320076	Differential lock arm assembly
52	12700320037	bushing

53	1288730062	O-ring
54	190003933072	Shaft with elastic ring
55	Q15081050Q	Hexagon head bolts
56	Q340810	Type 1 hex nuts
57	199014320156	Bracket assembly
58	Q15080818	Hexagon head bolts
59	Q40308	Spring washers
60	161000060072	Sleeves
61	Q40108	Flat Washers
62	Q33208	All metal hexagonal locking nut
63	179100360018	Working cylinder
64	190003964418	Forks
65	Q350808T5F	Hexagonal nuts
66	1780350055	Flat head pin
70	Q72310T5F	Sealing washers
71	Q15081012	Hexagon head bolts
73	Q72308T5F	Sealing washers
74	Q15080810	Hexagon head bolts
1l	1680M320015	O-washers
3l	Q5211016	Cylindrical pin
47A	15863315	Magnetic plug assembly



Serial	Part Number	Product Name
1	AZ9231330161	Rear axle housing assembly
1	26012330165	Rear axle housing assembly
1	AZ9231330265	Rear axle housing assembly
1	AZ9231330065	Rear axle housing assembly (front frame 780 after 850)
1	AZ9231330266	Rear axle housing assembly
2	1680340013	Garden nuts
3	190003810631	Stud stud - M12-M12 * 1.5 * 30
5	190003989290	Sulfur-shaped clogging
6	181500010163	Plug plug
7	1586330015	Magnetic plug assembly
8	Q72336	Sealing washers
9	199014330125	Joystick assembly
10	1680M320015	O-washers
11	199000330006	Ventilation assembly
12	169000330008	pin
12	169000330009	pin
12	BZ9100330010	pin

13	Q43705	Shaft with steel ring
14	Q72318T5F	Sealing washers
15	WG9100710003	Pressure Switch
18	Q40108	Flat Washers
19	Q33208	All metal hexagonal locking nut
20	199014330146	Arched card assembly (below)
20	199014330147	Bow-shaped fixed card assembly (on)
21	Q2540820	Cross recessed countersunk head screws
22	190003888732	Hex nuts
23	Q1200850F3	Stud studs
24	161000060084	Interval bushings
25	179100360018	Working cylinder
26	190003964418	Forks
27	190003870221	Hexagonal nuts - Q350808T15
28	WG780350055	Flat head pin
29	199012320098	Main reducer shell
30	Q5210820	Cylindrical pin-Q5210820
31	Q12316120	Stud studs
32	190003888459	Self-locking nuts
53	199012320131	Bearing seat
54	Q150B1230TF2	Hexagon head bolts
55	199012320133	Seal ring
56	199012320173	Adjust the gasket (0.1 in thickness)
56	199012320174	Adjust the gasket (0.15)
56	199012320175	Adjust the gasket (thick 0.4)
56	199012320176	Adjust the gasket (thick 1)
57	199012320121	ring
58	190003962030	Hex head plug
59	19000398920I	Bowl blockage



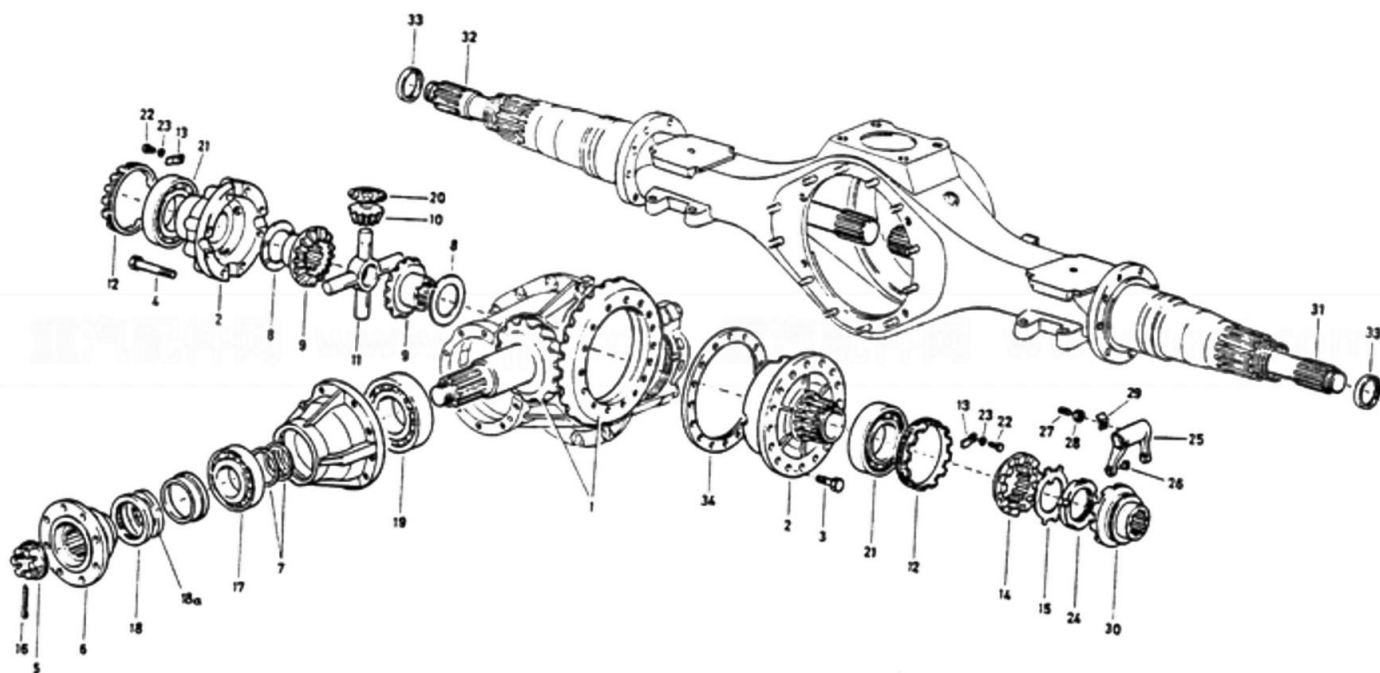
Serial	Part Number	Product Name
1	199014320165	Differential case
1l	13809820159	Differential bearing adjustment nut
2	199014320091	Differential cross shaft
2l	190003326333	Cone Roller Bearings 31311GB / T297-94
3	199012320010	Planetary gear
4	199012320009	Side gears
5	199012320150	Planetary gears
6	11800320012	Adjusting washer
6	199012320129	Adjusting washer
6	11800320131	Adjusting washer
6	11800320132	Adjusting washer
6	13809320169	Adjusting washer
7	AZ900432025l	Bevel gears 28/17
7	199014320250	Bevel gears pay 29/15
7	199014320253	Bevel gears 28/13
7	199014320255	Bevel gears
8	Q15181635TF2	Hexagon head bolts-Q15181635TF2
8a	WG9004320003	Driven bevel gear bolt
9	190003326148	Tapered roller bearings 32216GB / T297-94



10	Q15181480TF2	Hexagon head bolts-Q15181480II ~
12	179000320027	Stop piece
13	Q15080816	Hexagon head bolts
14	Q40308	Spring washers
15	13809020155	Fixed meshing sleeve
16	13809320157	Round nut
17	13809820158	Lock the gasket
18	199014320136	Active cylindrical gear Z = 35
18	199014320209	Active cylindrical gear z = 31
18	199114320002	Active cylindrical gear z = 35
19	199014320137	Driven cylinder gear z = 35
19	199014320208	Driven cylinder gear z = 26
19	199114320001	Driven cylindrical gear z = 27
20	WG9014320257	Roller bearings
20a	199014320256	Wire stalls
22	190003311543	Radial ball bearings 6312N with snap groove
23	190003310239	With dust cover deep groove ball bearings 6019-Z
24	199014320174	Block pieces
25	199014320140	Circle
26	1780320088	Bearing plate
26a	AZ9114320002	Locking plate - bearing plate fastening bolts
27	199014320129	Bearing seat
28	199014320128	Bearing outer ring press plate
29	199014320134	Adjusting washer
29	199014320133	Adjusting washer
29	199014320132	Adjusting washer
29	199014320131	Adjusting washer
30	Q15081430TF2	Hexagon head bolts
31	190003813543	Studs
32	Q33210	2 type all metal hexagonal locking nut
33	199014320135	Hollow shaft
34	199012250031	Slotted nuts
35	190003935383	Shaft with flattened steel wire ring - Q433130
36	190003933580	Shaft with elastic ring
37	199014320166	Differential case
38	199014320091	Differential cross shaft
39	199014320059	Side gear (rear)
40	199114320032	Side gear (front)
41	199012320010	Planetary gear

42	199012320150	Planetary gears
43	199014320070	Side gear (front) gasket
43	199014320069	Side gear (front) gasket
43	199014320211	Side gear (front) gasket
43	199014320068	Side gear (front) gasket
43	199014320067	Side gear (front) gasket
44	199014320074	Side gear (rear) gasket
44	199014320073	Side gear (rear) gasket
44	199014320210	Side gear (rear) gasket
44	199014320072	Side gear (rear) gasket
44	199014320071	Side gear (rear) gasket
45	Q15181480TF2	Hexagon head bolts
46	1228320105	Differential lock ring
47	1228320106	Differential lock
48	199014320061	Axial differential housing gasket
49	190014320261	Φ180 flange
49	AZ9128320014	Φ180 end face flange
49	199012320110	Flange assembly φ165
49	AZ9114320205	Φ165 end face flange
50	179000320013	Flange nuts
51	Q5005055	Open pin
52	190003070026	Shaft seal
52	190003008722	Shaft seal
53	199014320053	Fork
54	11800320077	Fork block
55	13809e20156	Slide the sleeve
56	199012320014	Fork
57	11800320077	Fork block
58	Q2800825	Slotted tapered screw
59	Q340B08	Type 1 hex nuts
60	199012320023	Bending plate
61	199114320031	Through the shaft
62	AZ9114320205	Flange assembly
62	199014320205	Flange assembly
63	179000320013	Flange nuts
64	190003311036	Deep groove ball bearings 6212GB / T276-94
65	Q5005055	Open pin
66	190003078772	Shaft seal
67	AZ9231340223	Half axle

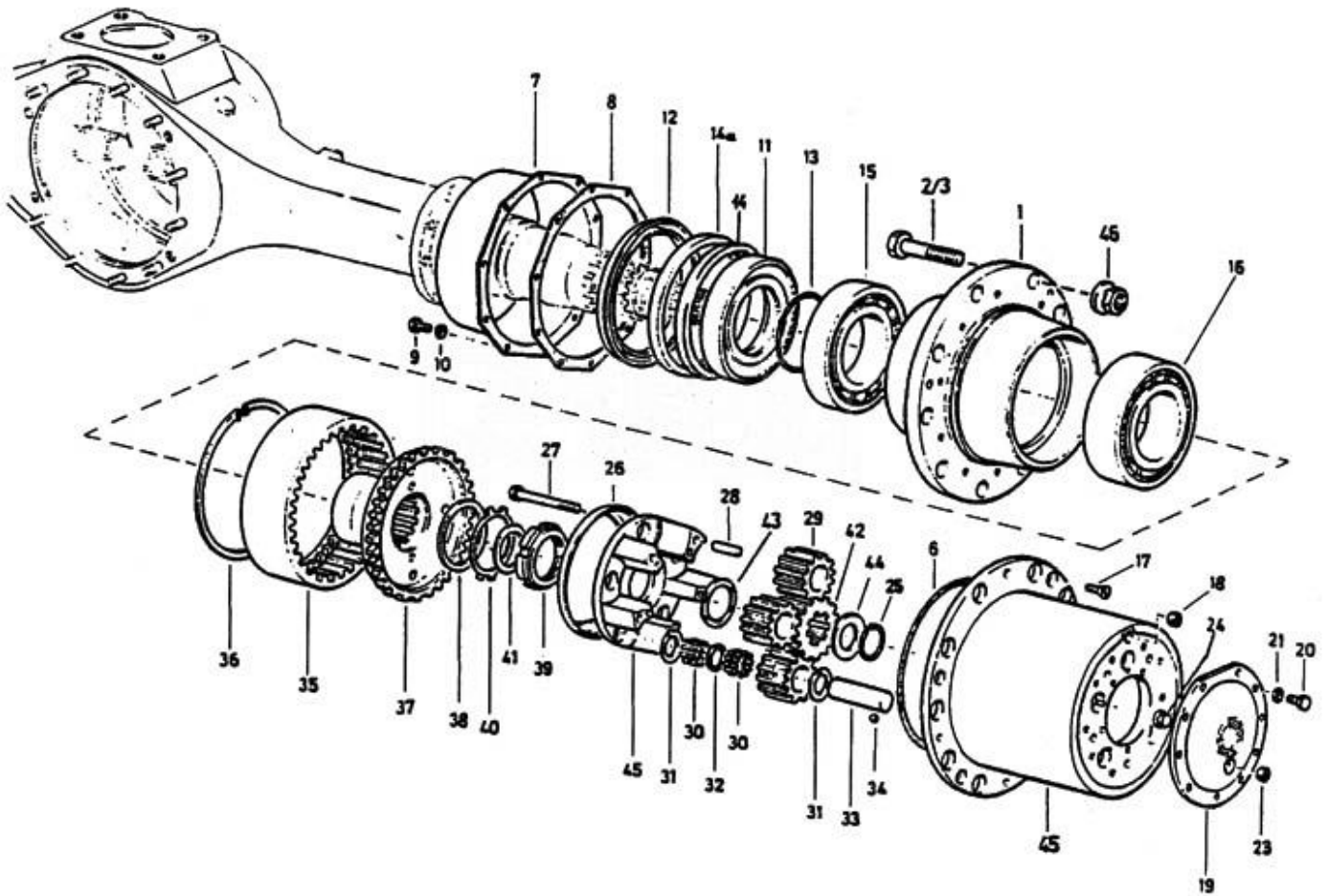
67	199012340023	Half axle (left)
68	AZ9231340224	Half axle
68	199012340024	Axle (right)
69	190003074340	Shaft seal
70	199014320153	ring



Serial	Part Number	Product Name
1	199112320003	Bevel gears 33/26
1	199012320181	Bevel gears
1	199012320177	Bevel gears 28/17
1	199012320178	Bevel gears pay 29/15
1	199012320179	Bevel gears 28/13
1	199012320180	Bevel gears
1	199012320182	Bevel gears
2	199012320503	Differential case
2	199012320198	Differential case
2	AZ9112320199	Differential case
2	179012320199	Differential case
3	Q15181632TF2	Hexagon head bolts
3a	WG9114320003	Driven bevel gear
4	Q15181480TF2	Hexagon head bolts
5	179000320013	Flange nuts
6	199012320110	Flange assembly $\phi$ 165
6	AZ9112320110	$\Phi$ 165 star tooth flange assembly
6	179000320010	$\Phi$ 150 flange assembly
6	AZ9128320014	$\Phi$ 180 star tooth flange assembly

6	199014320261	Φ180 flange assembly
7	1880320002	Adjusting washer
7	1880320003	Adjusting washer
7	1880320004	Adjusting washer
7	1880320005	Adjusting washer
7	1880320006	Adjusting washer
7	1880320007	Adjusting washer
7	1880320008	Adjusting washer
7	1880320009	Adjusting washer
7	1880320010	Adjusting washer
7	1880320011	Adjusting washer
7	1880320012	Adjusting washer
7	1880320013	Adjusting washer
7	1880320014	Adjusting washer
7	1880320015	Adjusting washer
8	11800320012	Adjusting washer
8	199012320129	Adjusting washer
8	11800320131	Adjusting washer
8	11800320132	Adjusting washer
8	13809320169	Adjusting washer
9	199012320009	Side gears
10	199012320010	Planetary gear
11	19901014320091	Differential cross shaft
12	13809320159	Differential bearing adjustment nut
13	17900320027	Stop piece
14	13809320155	Fixed meshing sleeve
15	13809320158	Lock the gasket
16	Q5005055	Open pin
17	190003326236	Tapered roller bearings 30312GB / T297-94
18	AZ9112320030	Shaft Seal (SD85X105X8)
18a	AZ9112320184	Shaft Seal (SS85X105X8)
19	190003326547	Tapered roller bearings 32315GB / T297-94
19	190003326546	Tapered roller bearings 32316GB / T297-94
20	199012320150	Planetary gears
21	190003326148	Tapered roller bearings 32216GB / T297-94
22	Q150B0816	Hexagon head bolts
23	Q40308	Spring washers
24	13809320157	Garden nuts
25	199012320014	Fork

26	11800320077	Pull the fork block
27	Q2800825	Slotted tapered screw
28	Q340808	Type 1 hex nuts
29	199012320023	Bending plate
30	13809320156	Slide the sleeve
31	199012340023	Half axle (left)
32	199012340024	Axle (right)
33	190003074340	Shaft seal
34	199012320121	ring



Serial	Part Number	Product Name
0	199012340082	Rear hub assembly
0	199112340011	Rear hub assembly
1	199112340009	Rear hub
1a	WG9112340008	Flange wheel
1	199012340068	Rear hub
2	AZ9112340123	Wheel bolts (rear)
3	AZ9112340123	Wheel bolts (rear)
6	199012340029	Seal ring
7	199012340021	Oil cover
8	WG9012340020	Gasket
9	Q15080816	Hexagon head bolts
10	Q40308	Spring washers
11	199012340019	Seal assembly

12	199012340018	Oil pan
13	199012340027	Seal ring
14	WG9112340113	Shaft seal
14a	WG9112340114	Shaft seal
15	1900(B326067	Tapered roller bearings 30222GB / F297-94
16	190003326167	Tapered roller bearings 32222GB / T297-94
17	Q2541025	Cross recessed pan head screws - Q2541025
18	190003961309	Cylindrical Hexagon Socket Screws - M22 × 1.5
19	19911234000I	End cover
20	Q150Blff20Q	Hexagon head bolts-Q150B1020 full thread
21	Q40310	Spring washer-q40310
23	190003098026	Sealing washers
24	199012340011	End cap pin
25	190003933351	Shaft with elastic ring
26	1880420027	Planetary frame
27	Q151C1295TF2	Hexagon head bolts
28	1900∞901704	Cylindrical pin
29	199012340122	Planetary wheel (z = 16)
30	WG99-934-013	Needle roller bearings for credit map
31	199012340075	Planetary wheel gasket
32	199012340077	washer
33	199012340004	Planetary axle
34	190003330148	Steel ball -8.0000G200b-GB308
35	199012340121	Internal ring gear (Z = 57)
36	WG1880420014	Shaft with a ring
37	199112340021	Ring gear bracket assembly
38	1880420034	Thrust pad ring
39	1680340013	Round nut (right)
40	1680340015	Thrust washers
41	1680340016	Adjust the gasket (0.1 in thickness)
41	1680340187	Adjust the gasket (0.15)
41	1680340017	Adjust the gasket (thick 0.2)
41	1680340018	Adjust the gasket (thick 1.0)
41	1680340019	Adjust the gasket (thickness 1.5)
42	199012340005	Sun wheel (z = 23)
43	199012340076	Sun wheel washer
44	1880410097	washer
45	199112340029	Planetary assembly
46	WG9003884160	Wheel nut





11	WG9200340068	Brake friction plate
11a	199112340028	Brake cushion lining
12	189000340068	Rivet
13	199000340064	Shaft
14	1880340016	Bushings
15	19000390966l	Elastic cylindrical pins
16	199a00340027	Compressor wheel
17	AZ9100340012	Return spring
18	1880440032	Pin
19	199112340026	Brake camshaft (left)
19	AZ9231340226	Brake camshaft (left)
20	199112340027	Brake camshaft (right)
20	AZ9231340227	Brake camshaft (right)
21	1880440010	washer
22	1880340023	Seal ring
23	1880440010	Gasket
24	WG9100340017	Bushings
25	190003933300	Shaft with elastic ring
26	WG9100340056	Brake arm assembly (left)
26	WG910034006l	Gap automatic adjustment arm
26a	AZ9100349992	Stent
27	WG9100340057	Brake arm assembly (right)
27	WG9100340060	Gap automatic adjustment arm
27a	AZ9100349993	Stent
28	1880340022	washer
29	180320028	Adjusting washer
29	180320029	Adjusting washer
29	180320030	Adjusting washer
29	180320046	Adjusting washer
30	1900D3933116	Shaft with elastic ring
31	Q15181635TF2	Hexagon head bolts
32	199014340041	Camshaft bracket
33	190003963112	Straight through the grease nipple
34	1880340031	Adjusting washer
34	1880340032	Adjusting washer
34	1880340033	Adjusting washer
34	1880340034	Adjusting washer
34	1380947003l	Adjusting washer
34	13809470032	Adjusting washer

34	13809470033	Adjusting washer
35	Q15181490	Hexagon head bolts
36	Q15181440	Hexagon head bolts
37	199014340042	Brake cylinder bracket
39	199012340066	Brake cylinder bracket
40	Q15182040TF2	Hexagon head bolts
41	WG910360303	Composite brake cylinder
42	190003964459	Screw fork
43	Q341B14	Hex nuts
44	Q341B16	Hex nuts
45	Q40316	Spring washers
46	19000390366l	Pin
47	Q40ll4	Flat Washers
48	Q5004022	Open pin
49	199014340048	Cylindrical pin
50	199112340049	Tighten the spring