



SINOTRUK

TRANSMISSION

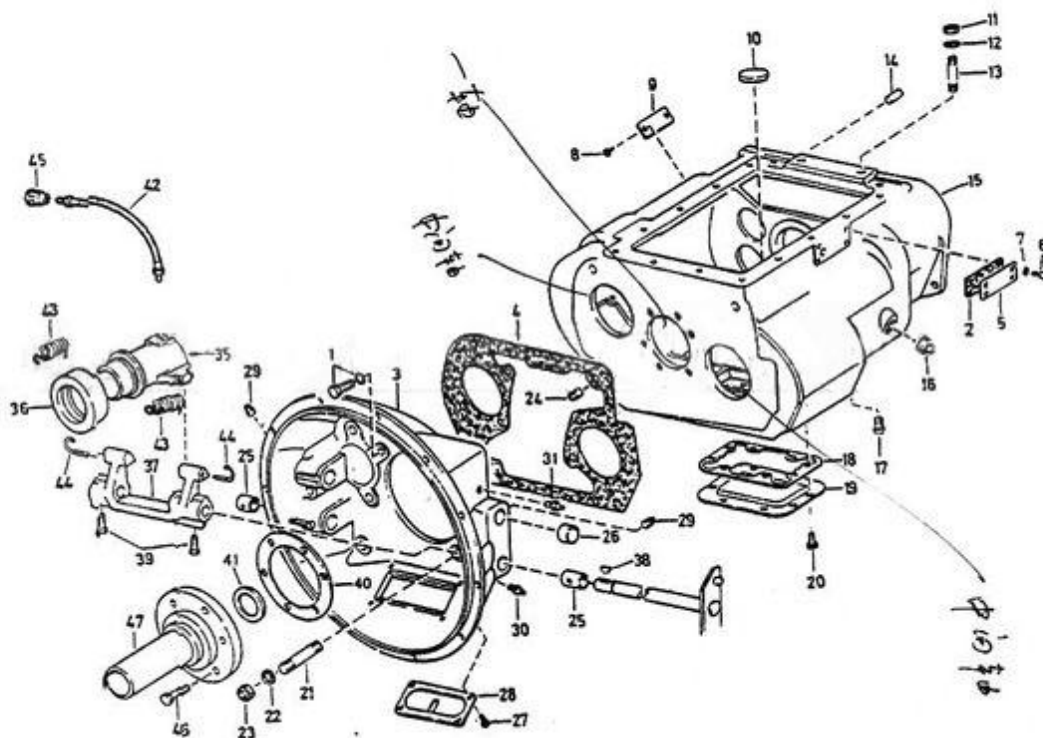
FAST RT11509C

SPARE PARTS CATALOG

Edited and provided by
CHINA HEAVY TRUCK PARTS STORE CO LTD

INDEX

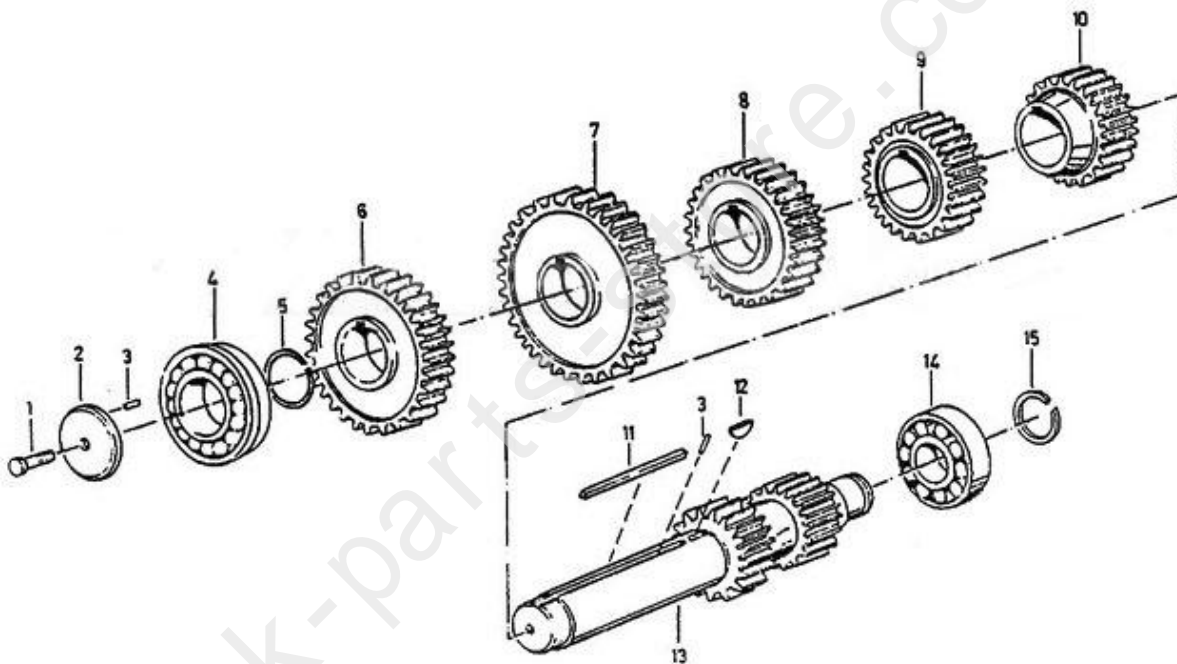
Clutch & transmission housing	Page 3
Counter shaft & gear	Page 5
Second shaft gearing bushing & gear	Page 7
Reverse gear shaft & gear	Page 9
First shaft & gear	Page 10
Gear shifting mechanism	Page 12
Double H valve shifting mechanism	Page 14
Vice box driving gear	Page 17
Vice box output shaft	Page 18
Synchronizer	Page 19
Vice box countershaft	Page 20
Rear cover	Page 21
Shifting cylinder	Page 23
Clutch brake	Page 24
Gearbox control valve gas circuit	Page 25
Pressure regulator	Page 26
Clutch brake control mechanism	Page 27
Clutch brake gas circuit	Page 28
Double rod double H valve control device	Page 29



Clutch & transmission housing		
FAST Transmission RT11509C		
sequence	name	part number
2	Liner	19481
3	Clutch housing	jsl00-1015-1
3	Clutch housing assembly	tsl80a-1601015—5
3	Clutch housing	154lo
3	Clutch housing	jsl80a — 1601015
3	Clutch housing assembly	a-3674
4	Liner	14310
5	Cover	18420
10	Round Magnet	14373
11	Screw nut	m16×1. 5
12	Washer	q40316
13	Stud	q1231630
14	Locating Pins	14334
15	Transmission housing	jsl00—1701015
15	Transmission housing	18686

16	Plug	q61412
17	Oil drain plug	q61304
18	Gasket	16920
19	PTO bottom cover	16595
19	PTO bottom cover	jsl30t-1701020
20	Screws	m12×22
21	Stud	q1231642
22	Washer	q40316
23	Screw nut	m16×1. 5
24	Screw plug	x—14558
25	Bushings	8677
26	Bowl plug piece	16374
27	Screws	m8×12
28	Manhole Cover	1565
29	Square head taper plug	q16401
30	Butter mouth	q70170
31	Grease nipple	q7000l
35	Separation bearing	11203
36	Release Bearing	996914
37	Clutch release fork	12817
38	Woodruff key	x-6-1l
39	Retaining screws	x-7-603
40	Bearing cover gasket	14311
41	First shaft bearing cap seals	f500a — 1802191
41	First shaft bearing cap seals	f91410
42	Hose	51016
43	Spring	4425
44	Separation fork return spring	9293
45	Lubricants Cup	1/8"
46	Bolt	m10×32
47	First shaft bearing cap	t116e—1701040
47	First shaft bearing cap	jsl80a — 1701040
47	First shaft bearing cap	f91409

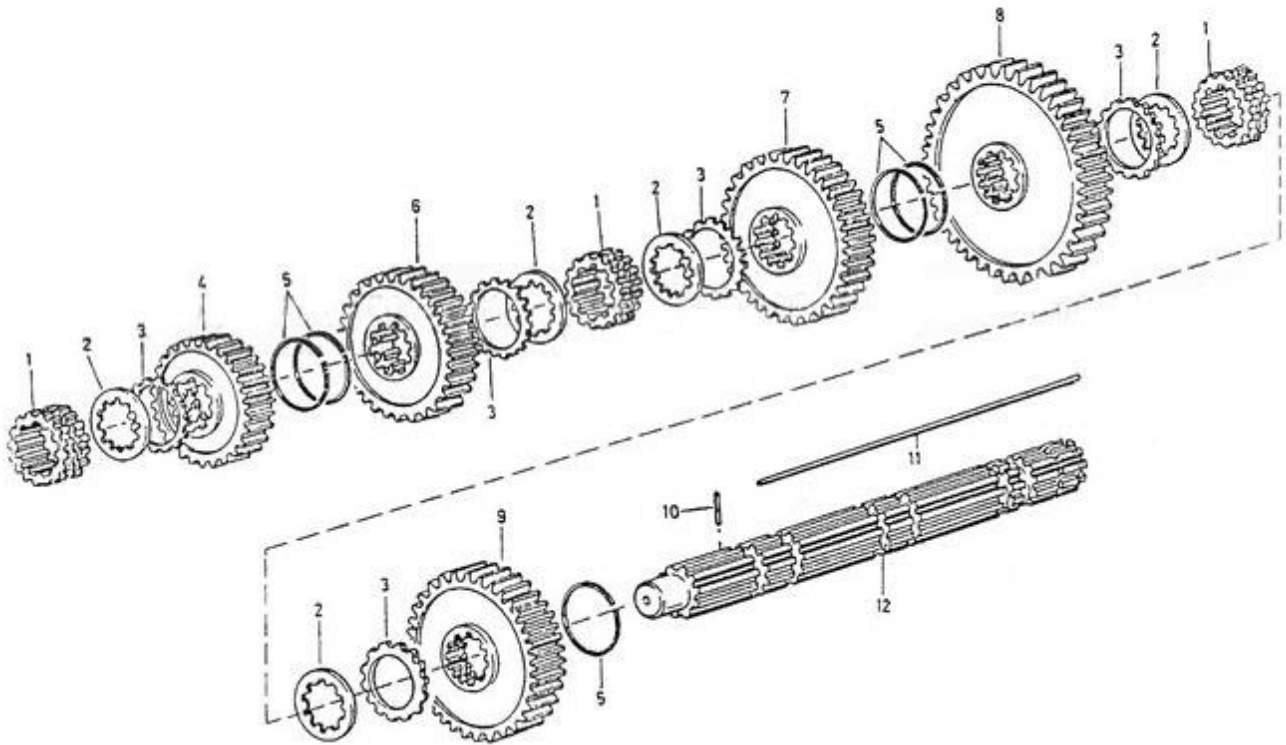
Fuller LAY SHAFT, WHEELS/Fuller 中间轴及齿轮



Counter shaft & gear		
sequence	name	part number
1	Bolt	m16×1. 5x45
2	Plate	19668
3	Elastic cylindrical pin	62511
4	Bearing	370309y
4	Bearing	192309
4	Bearing	192309e
5	Collar	19198
6	Countershaft gear driving gear	jsl00ra-1701056
6	Countershaft driving gear	jsl80t-1701056
6	Countershaft driving gear	t116e-1701056
6	Countershaft driving gear	jsl00—170156
6	Countershaft driving gear	jsl50—1701054
6	Countershaft driving gear	19631
6	Countershaft transmission gear	js100-170156
6	Countershaft transmission gear	19552
6	Countershaft transmission gear	19615
6	In asking shaft drive gear	jsl30r-1701056

6	Countershaft driving gear	jsl00t-1701056
7	Left PTO gear	15953
7	Right PTO gear	20840
8	Countershaft gear overdrive gear	19639
8	Countershaft gear overdrive gear	t116e-1701053
8	Countershaft gear overdrive gear	tll5f-1701052
8	Countershaft gear third gear	jsl80t-1701051
8	Countershaft third gear	jsl30t-1701051
8	Countershaft third gear	jsl00—1701051
8	Countershaft fourth gear	jsl00ta-1701051
8	Countershaft third gear	19243
8	Countershaft third gear	jsl00a-1701051
8	Countershaft fourth gear	jsl30ta-1701051
8	Countershaft third gear	16749
8	Countershaft gear overdrive	jsl50-1701053
8	Countershaft third gear	jsl30ta-1701056
8	Countershaft gear overdrive	t115f-1701052
9	Countershaft second gear venomous snake round	jsl30t — 1701050
9	Countershaft second gear	19623
9	Countershaft second gear	19615
9	Countershaft second gear	jsl50-1701052
9	Countershaft second gear	jsl00t-1701050
9	Countershaft second gear	16751
9	Countershaft gear second gear	jsl80t-1701050
10	Countershaft gear first gear	jsl50—1701051
10	Countershaft first gear	19247
10	Countershaft first gear	19629
10	Countershaft first gear	jsl00-1701049
10	The Q axis of the first gear	19753
11	Quartet key countershaft	jsl30t-1701055
11	Quartet key intermediate shaft	19673
12	Woodruff key	x-6-e
13	Countershaft	jsl330t-1701048
13	Intermediate shaft	jsl00—1701048
13	Intermediate shaft	19549
14	Bearing	102308e
15	Collar	14317
15	(Bearing) snap ring	c0102l

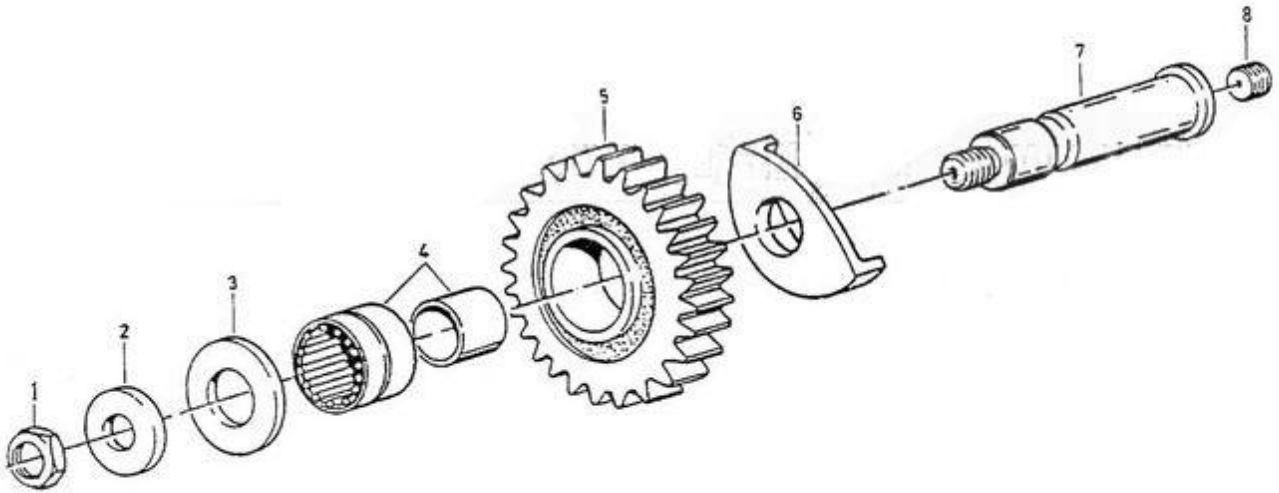
Fuller MAIN SHAFT AND WHEELS/Fuller 二轴, 啮合套及齿轮



Second shaft gearing bushing & gear		
FAST Transmission RT11509C		
sequence	name	part number
1	Second shaft sleeve	16118
1	Second shaft sleeve	jsl30t-1701108
2	Adjusting pad	1870l
3	Second gears splined washer	jsl00-1701113
3	Second shaft gear splined washer	14749
4	Second shaft third gear	19242
4	Second shaft overdrive gear	tll6e-1701132
4	Second shaft fourth gear	jsl30ta-1701131
4	Second shaft fourth gear	jsl00a-1701131
4	Second shaft third gear	jsl00t-1701131
4	Second shaft third gear	jsl00—1701131
4	Second shaft fourth gear	_1s10gra-1701131
4	Second shaft third gear	jsl80t-1701131
4	Second shaft overdrive gear	19638

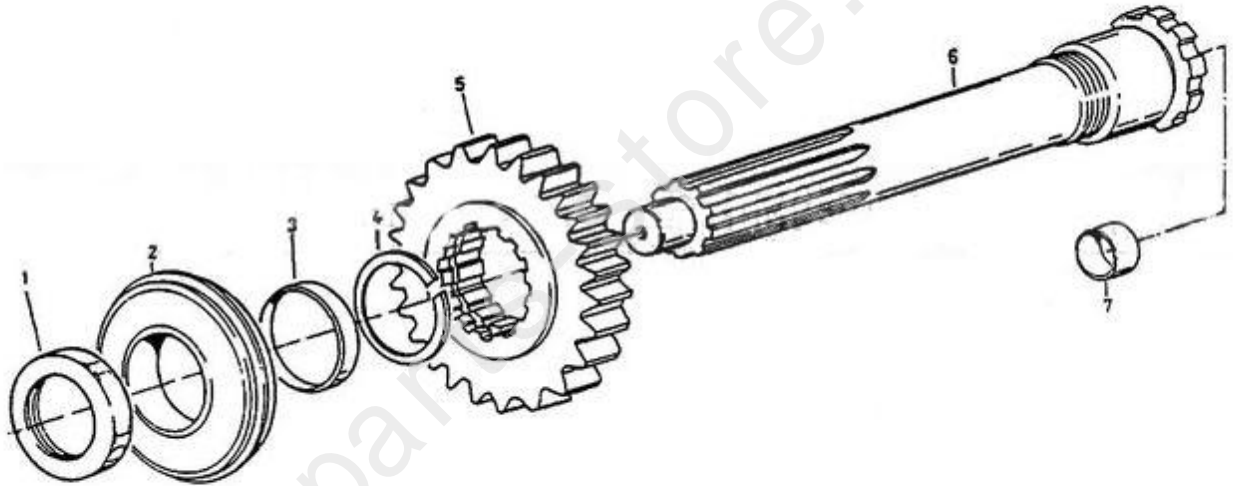
4	Second shaft third gear	16748
4	Second shaft override gear	jsl50-1701113
5	Snap ring	14750
6	First shaft second gear	jsl50-1701112
6	Second shaft second gear	jsl80t-1701130
6	Second shaft two gear	19614
6	Second shaft two gear	19622
6	Second shaft two gear	jsl30t-1701130
6	Second shaft two gear	16750
6	Second shaft second gear	jsl00t-1701130
7	Second shaft first gear	jsl50-1701111
7	Second shaft first gear	jsl30t-1701112
7	Second shaft first gear	jsl00t-1701112
7	Second shaft first gear	19246
7	Second shaft first gear	jsl00-1701112
7	Second shaft first gear	19628
7	Second shaft first gear	jsl80t-1701112
7	Second shaft first gear	16752
8	Second shaft low gear	16754
9	Second shaft reverse gear	jsl00-1701111
9	Second shaft reverse gear	jsl80t-1701111
9	Second shaft reverse gear	16756
10	Elastic cylindrical pin	62504
11	Second shaft hex key	17109
12	Second shaft	jsl30t-1701105
12	Second shaft	jsl80t-1701105
12	Second shaft	18729
12	Second shaft	jsl80-1701105

Fuller REVERSE GEAR/Fuller 倒档轴及齿轮



Reverse gear shaft & gear		
FAST Transmission RT11509C		
sequence	name	part number
1	Screw nut	x-12440
2	Flat pad	14283
3	Reverse shaft thrust pad	14282
4	Needle roller bearings	14287
5	Reverse gear idler gear	16757
5	Reverse gear idler gear	jsl80t-1701082
5	Reverse gear idler gear	jsl00-701082
6	Reverse cupped washer	16403
6	Reverse gear cupped washer	jsl00-1701083
7	Reverse countershaft	16405
8	Level set screws	5202

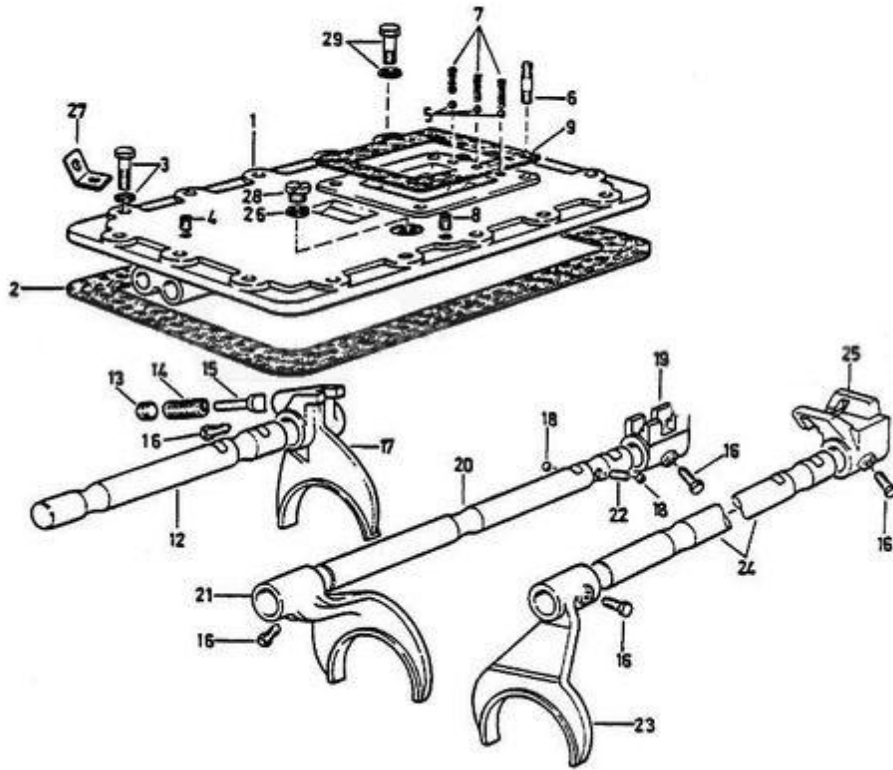
Fuller CLUTCH SHAFT/Fuller 一轴及齿轮



First shaft & gear		
FAST Transmission RT11509C		
sequence	name	part number
1	First shaft nut	8858
1	First shaft nut	jsl80a-1701036
2	Bearing	150212k(81504)
3	Gear septum	16463
4	Snap ring	14750
5	First shaft gear	19630
5	First shaft gear	jsl50-1701030
5	First shaft gear	jsl00ta-1701031
5	First shaft gear	jsl30ta-1701031
5	First shaft gear	17568
5	First shaft gear	jsl00a-1701031
5	First shaft gear	jsl00t-1701031
5	First shaft gear	jsl80t-1701031
5	First shaft gear	jsl00-1701031
5	First shaft gear	19239

5	First shaft gear	tll6e-1701032
5	First shaft gear	jsl30t-1701031
6	First shaft	19694
6	First shaft	jsl80a — 1701030
6	First shaft	tll6e — 1701031
7	(Bearing) snap ring	c01021
7	Second shaft bushing	16566

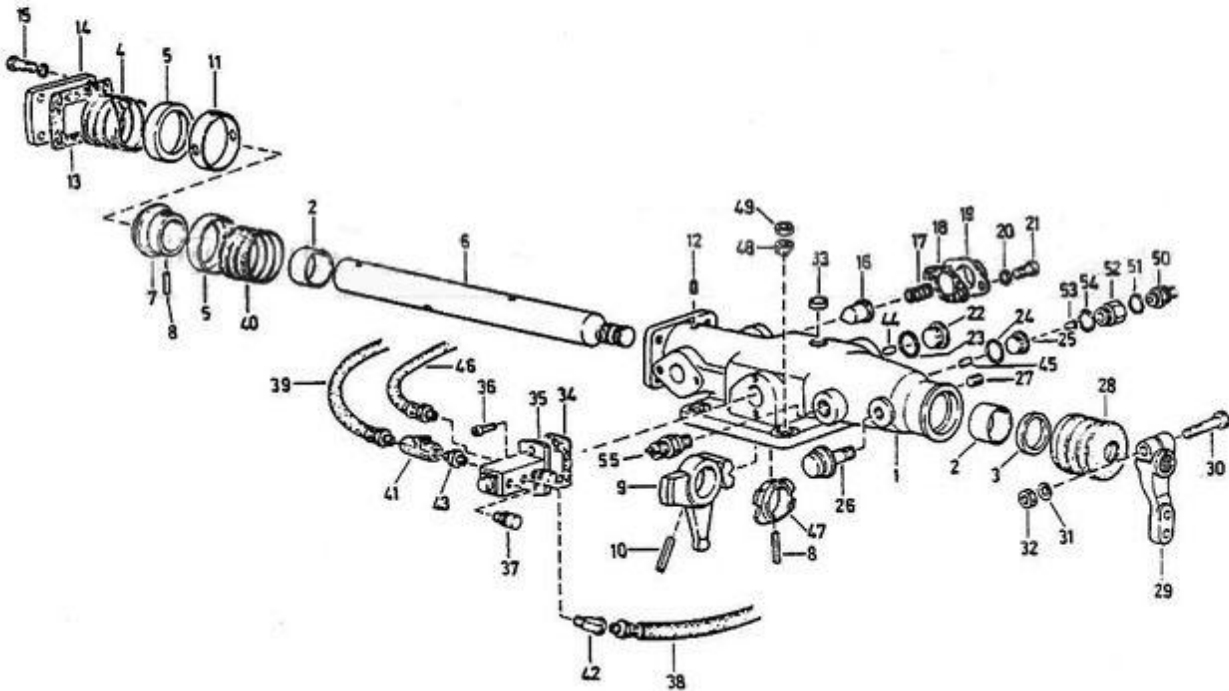
Fuller SWITCH GEAR/Fuller 换档机构



Gear shifting mechanism		
FAST Transmission RT11509C		
sequence	name	part number
1	Upper cap	jsl00a-1702015
1	Upper cap	jsl30t-1702015
1	Upper cap	b19980
	Upper cap	jsl30t-1702010
	Upper cap	jsl30ta-1702010
	Upper cap	a-c0200l
2	Liner	14918
3	Bolt	m10×35
3	Spring washer	q40310
4	Square groove taper plug	q61303
5	Steel ball	1 / 2"
6	Stud	11056
7	Spring	f96084
7	Spring	f96085
8	Square groove taper plug	q61032

9	Liner	1642
12	Low reverse gear fork shaft	16132
12	Low reverse gear shiftingfork shaft	jsl00a-1702064
13	Reverse gear lock plug	8968
14	Reverse gear lock spring	8774
15	Reverse gear lock plunger	f99671
16	Locking screw	3220
17	Low reverse gear fork	99664
18	Interlock Ball	3 / 4"
19	1/2 gear guiding block	f99588
19	1/2 gear guide block	jsl00a-1702054
20	1/2 gear shifting fork shaft	jsl30ta-1702065
20	1/2 gear shifting fork shaft	jsl00a-1702065
20	1/2 gear fork stalls	jsl30t-1702065
20	l / 2 gear shifting fork shaft	16133
21	l / 2 gear shifting fork shaft	16135
21	1/2 gear shifting fork	jsl30t-1702055
21	l / 2 files fork	jsl30ta-1702055
22	Interlock pin	1634
23	3/4 gear shifting fork	jsl30ta-1702056
23	3/4 gear fork	16136
23	3/4 gear shifting fork	jsl00a-1702056
23	3/4 gear shifting fork	jsl30t-1702056
24	3/4 gear shifting fork shaft	jsl30t-17021366
24	3/4 gear shifting fork shaft	18643
24	3/4 gear shifting fork shaft	jsl30ta-1702066
25	3/4 gear guide block	f99589
25	3/4 gear guiding block	jsl00a-1702053
26	Liner	17179
27	Rings	17105
28	Plugs	17178
29	Flat nut	x-6-01
29	Nuts (thickness 24)	x-6-03
29	Bolt	m10×32
21	l / 2 gear shifting fork	jsl00a-1702055

Fuller DOUBLE H OPERATION C/Fuller 双 H 换挡控制机构

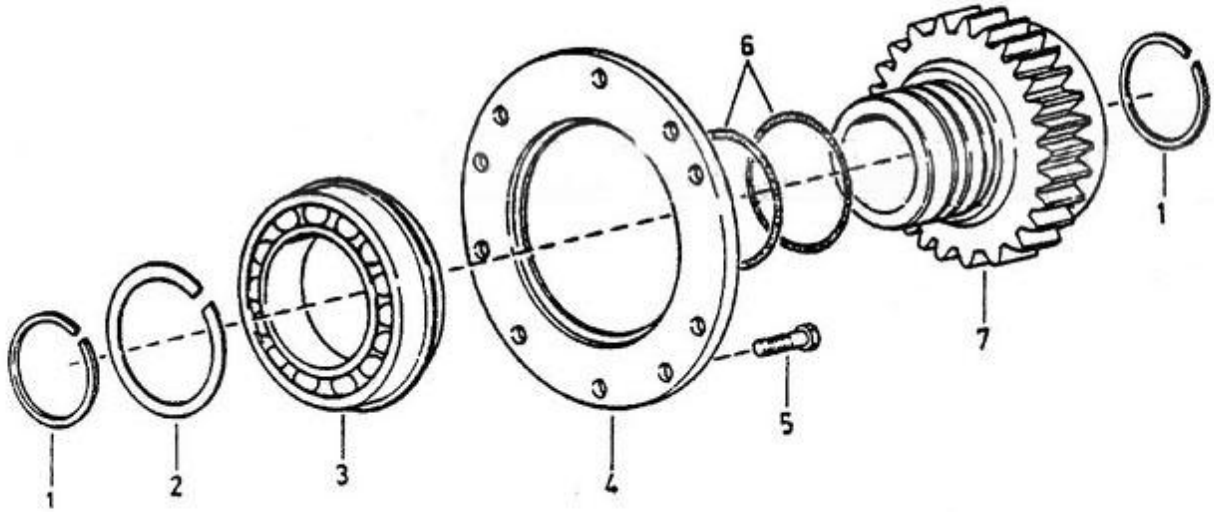


Double H valve shifting mechanism		
FAST Transmission RT11509C		
sequence	name	part number
1	Housing	f96194
1	Housing	jsl00-1702051
2	Bush	f91345
3	Seal	f91444
4	Spring	f99983
5	Spring seat	f99673
6	Lateral shift lever	f99679
6	Lateral shift lever	jsl00-1702017
7	Positioning ring	f99675
8	Elastic cylindrical pin	q5000635
9	Dial head	jsl00a-1702072
9	Dial head	f99585
10	Cylindrical pin	c03030
10	Pin	jal00a-1702073
11	Spring spacer	f99674

12	Screw	c03004
13	Gasket	f99672
14	Plates	f99666
15	Screws	m8x12
16	Positioning of the plunger	f99670
17	Compression spring	f96037
18	Liner	f96140
19	Spring gland	f96141
20	Bolt	m8x12
21	Washer	q40108
22	Neutral switch	99012710041
22	Plugs	q61518
23	Liner	17179
24	Liner	15900
25	Reverse switch plug	15917
26	Vent plug	15276
27	Square groove taper plug	q61302
28	Dust cover	f99669
29	Shifting arm	f96035
30	Bolt	m10xlx50
31	Spring washer	q40310
32	Screw nut	m10xl
33	Bowl plug piece	q72224
34	Liner	f91353
35	Double H double valve	f99660
	Double H valve control device	a-c0300l
	Double H valve control device	a-c0300l-1
36	Socket head cap screws	m6x18
37	Vent plug	7935
38	Trachea	55518
39	Trachea	55522
40	Spring	f96036
41	Joint	12881
42	Pipe fittings	12880
43	Connector	12769
44	Neutral switch Pin	f99702
45	Switch start pin	15899
46	Trachea (pick-grade)	55523

47	Reverse switch control block	jsl00-1702052
47	Reverse switch control block	f99681
48	Nuts (thick)	m10xl
49	Nut (flat)	m10x1
50	Reverse gear switch	79100710068
51	Seal	c03015
52	Reverse gear switch plug	15917
54	Seal	c03015
47a	Retaining pin	jsl00-1703012

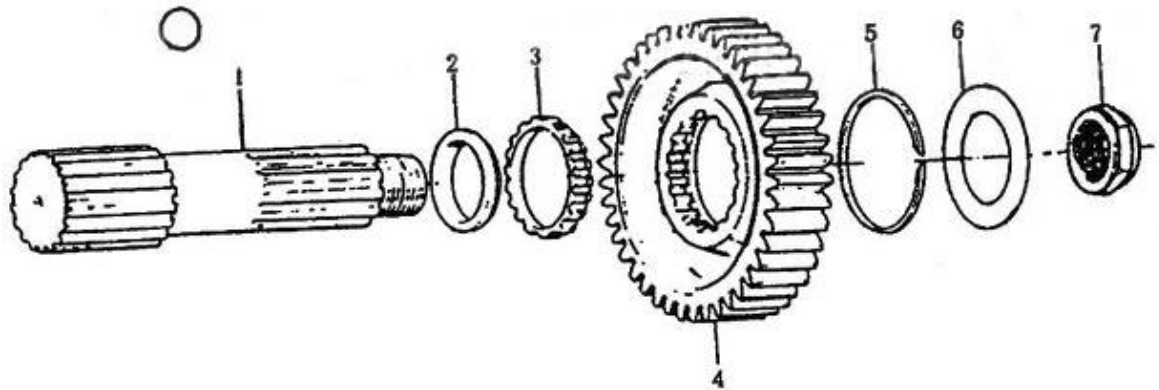
Fuller aux. Gearbox DRIVE GEAR/Fuller 副变速器驱动齿轮



Vice box driving gear		
FAST Transmission RT11509C		
sequence	name	part number
1	Snap ring	16763
2	Snap ring	16628
3	(Bearing) snap ring	c01019
3	Bearing	50118
4	Vice box bearing the puck	16138
5	Screws	m10x22
7	Vice-box drive gear	jsl80t-1707030
7	Vice-box drive gear	18869
7	Vice-box drive gear	19254
7	Vice-box drive gear	jsl80-1707030
7	Vice-box drive gear	19275
	Vice-drive gear box assembly	a—c09005
	Vice-drive gear box assembly	jsl80t-1707025

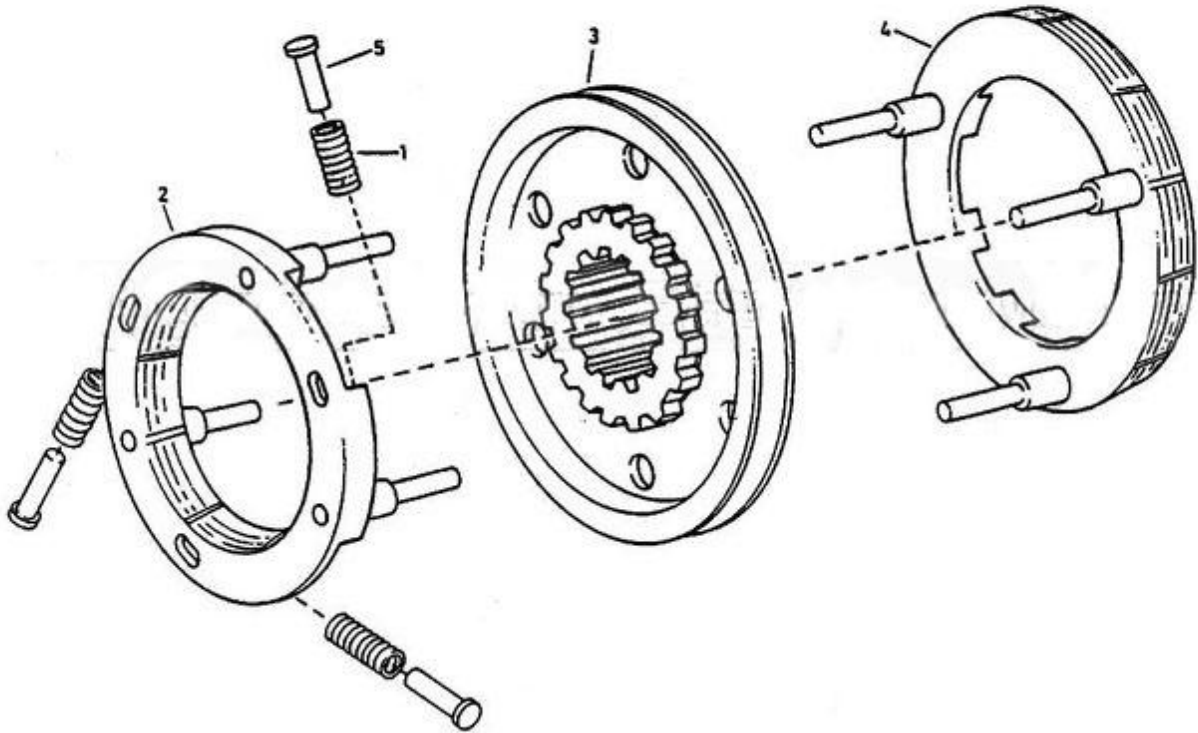
Fuller aux. Gearbox OUTPUT SHAFT/Fuller 副变速器输出轴总成

11



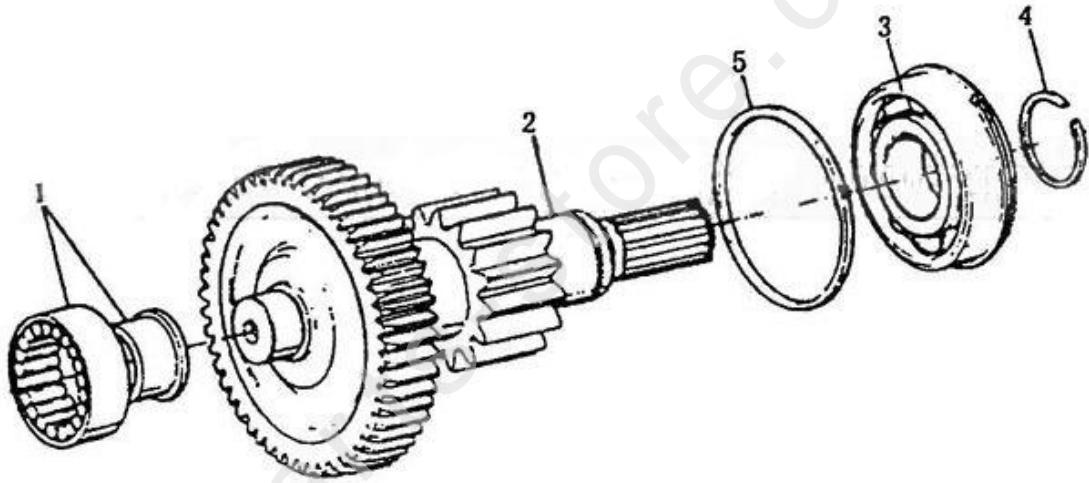
Vice box output shaft		
FAST Transmission RT11509C		
sequence	name	part number
1	Vice box spindle	f99882
1	Vice box spindle	jsl80-1707105
2	Vice box spindle washers	jsl80-1707107
2	Vice box spindle washers	14332
3	Vice box spindle washer	14331
4	Vice gearbox reduction gear spindle	jsl30t-1707121
4	Vice gearbox reduction gear spindle	19165
4	Vice gearbox reduction gear spindle	jsl00t-1707121
4	Vice gearbox reduction gear spindle	jsl80t-1707121
4	Vice gearbox reduction gear spindle	19726
4	Vice gearbox reduction gear spindle	19665
4	Vice gearbox reduction gear spindle	jsl80-1707106
5	Snap ring	f14327
6	Vice gearbox reduction gear gaskets	jsl80-1707108
6	Vice gearbox reduction gear gaskets	19466
7	Flange nut	f96006

Fuller SYNCHRONISATION/Fuller 同步器



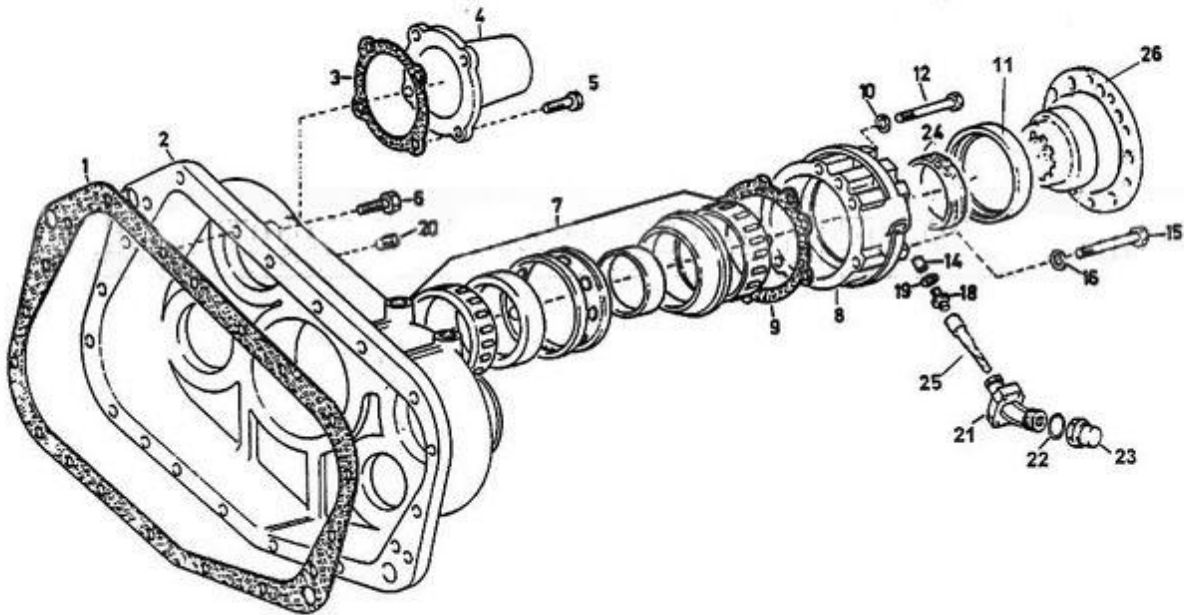
Synchronizer		
FAST Transmission RT11509C		
sequence	name	part number
1	Spring	14897
	Synchronizer	a-5056
2	High gear synchronizer assembly	jsl30t-1701150
2	High gear synchronizer assembly	a-4938
3	Slide synchronizer assembly	20323
4	Low gear synchronizer assembly	jsl30t-1701140
4	Low gear synchronizer assembly	a-4937
5	Spring guide seat	19154

Fuller Aux .gearbox LAYSHAFT/Fuller 副变速器中间轴



Vice box countershaft		
sequence	name	part number
1	Bearing	42307e
2	Vice box countershaft transmission gear	jsl80t-1707049
2	Vice box countershaft welding assembly	jsl80-1707053
2	Vice box lengthen countershaft	18222
2	Extended countershaft assembly	jsl30t-1707047
2	Vice box lengthen countershaft	19998
2	Vice box countershaft	jsl80t-1707048
2	Vice box lengthen countershaft	20002
2	Vice box countershaft transmission gear	19255
2	Vice box countershaft transmission gear	19276
2	Vice box countershaft drive gear	18870
3	Bearing	192311e
3	Bearing	192310e
4	Snap ring	16723
5	(Bearing) snap ring	c01020
5	Bearing Washers	17384

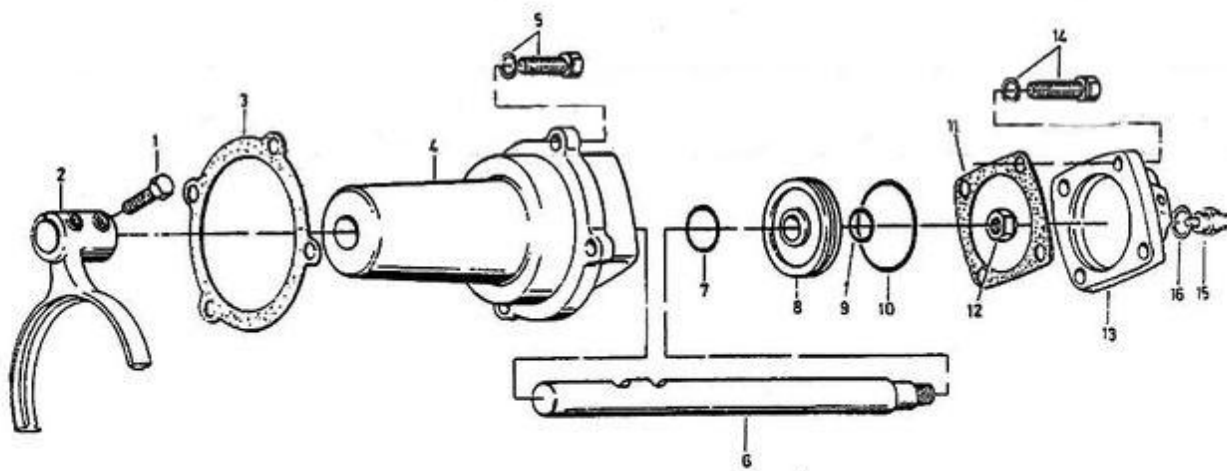
Fuller REAR COVER/Fuller 后盖总成



Rear cover		
FAST Transmission RT11509C		
sequence	name	part number
1	Liner	14335
	Copper Washers	17016
2	Rear cover case	h19975
2	Back cover case	jsl80-1701015
2	Back cover case	jsl30r-1707010
3	Liner	17352
4	Extended countershaft bearing cap	17376
5	Screws	a-c09008
6	Screws	m10×50
6	Screws	m10×45
7	Bearing	jsl80-1707109
7	Bearing	71813

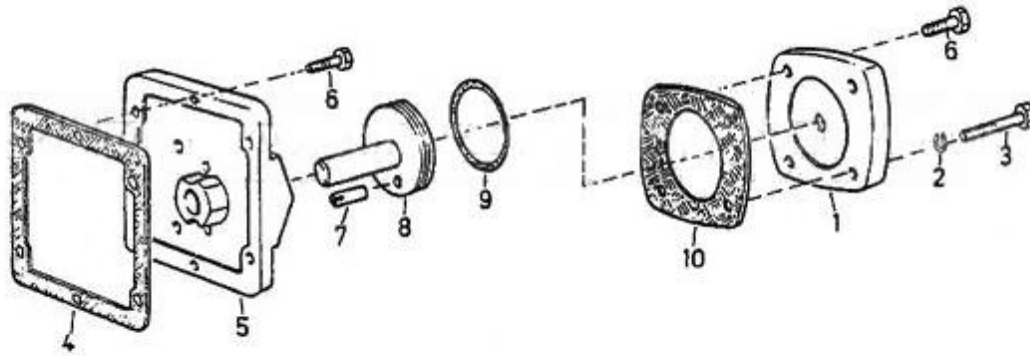
8	Rear output shaft bearing cap	jsl80-1707155
9	Liner	15532
10	Spring washer	q40310
11	Seal	19109
12	Bolt	m10×70
14	Copper sets	7992
15	Bolt	m10×70
16	Glands	19709
18	Odometer joint assembly	f93060
19	Copper pads	h16i]05
21	Odometer joint assembly	116e-3802032
24	Speedometer drive gear	f91054
25	Odometer passive gear	f91055
26	Output flange (optional)	f99900
26	Output flange (optional)	jsl80-1707159
26	Output flange (optional)	f99902
26	Output flange (optional)	jsl80-1707159-1
26	Output flange (optional)	f99902-5
26	Output flange (optional)	f99900-1

Fuller SHIFTING CYLINDER ASSEMBLY/Fuller 换档气缸总成



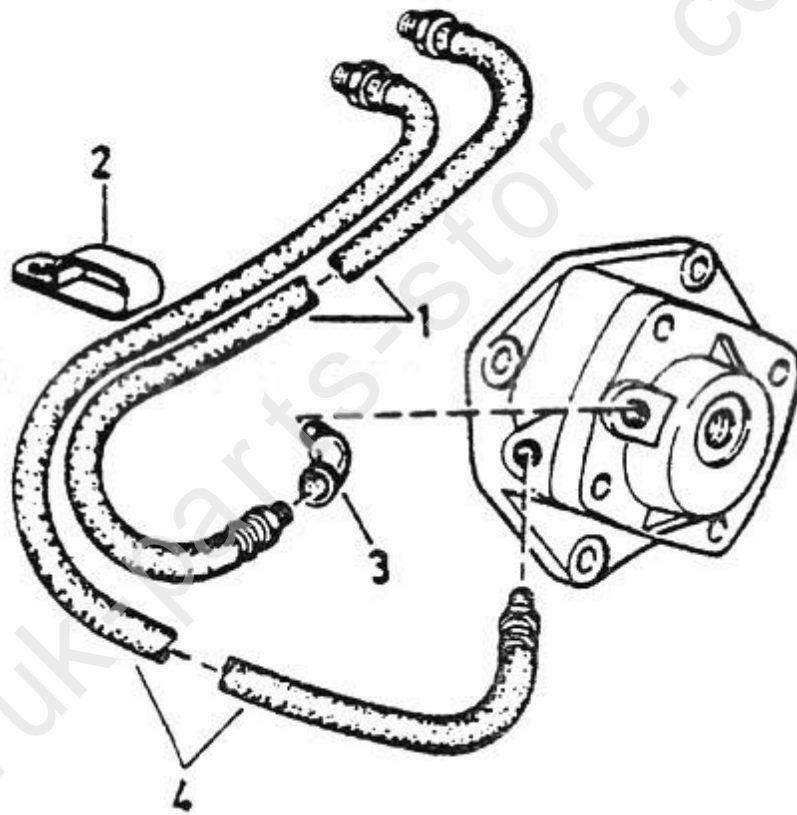
Shifting cylinder		
sequence	name	part number
	Shifting cylinder assembly	a-c09016
1	Screws	m12×1. 25×50
2	Vice box fork	16775
3	Liner	1684
4	Range gear cylinder	16778
5	Screws	m10×32
6	Fork shaft	16993
7	O-ring	14765
8	Piston	14341
9	O-ring	14345
10	O-ring	14344
11	Cylinder head gasket	14349
12	Screw nut	m16×1. 5
13	Cylinder head	f99857
15	High-low gear switch	79100710069
16	Washer	x11511

离合器制动器



Clutch brake		
FAST Transmission RT11509C		
sequence	name	part number
	Countershaft brake	a-4046
1	Brake piston cover	16659
2	Spring washer	q40310
3	Screws	m10×55
4	Liner	1684
5	Countershaft housing	16656
6	Screws	m10×32
7	Pin	q5000616
8	Brake piston	16658
9	O-ring	16660
10	Piston head gasket	16661

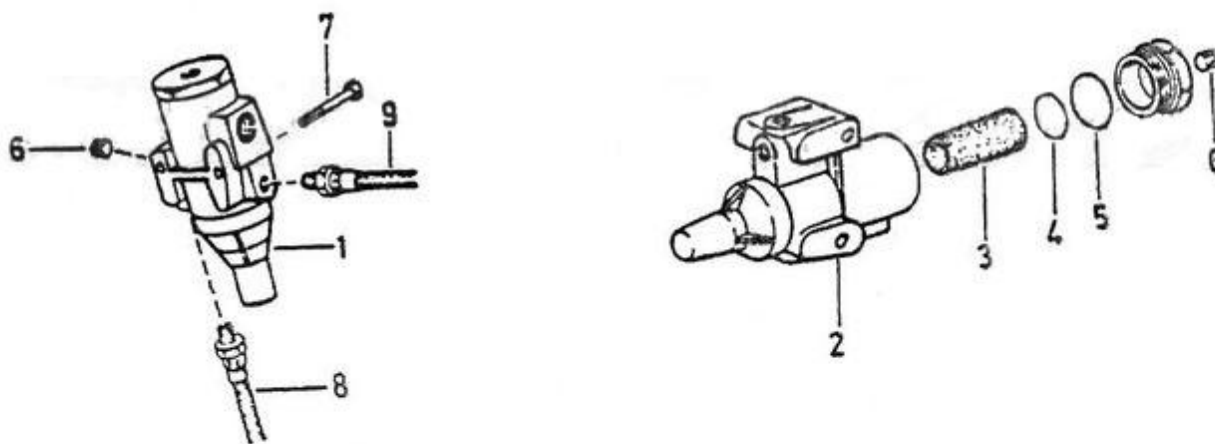
Fuller PNEUM. SHIFTING/Fuller 变速器控制阀气路



Gearbox control valve gas circuit

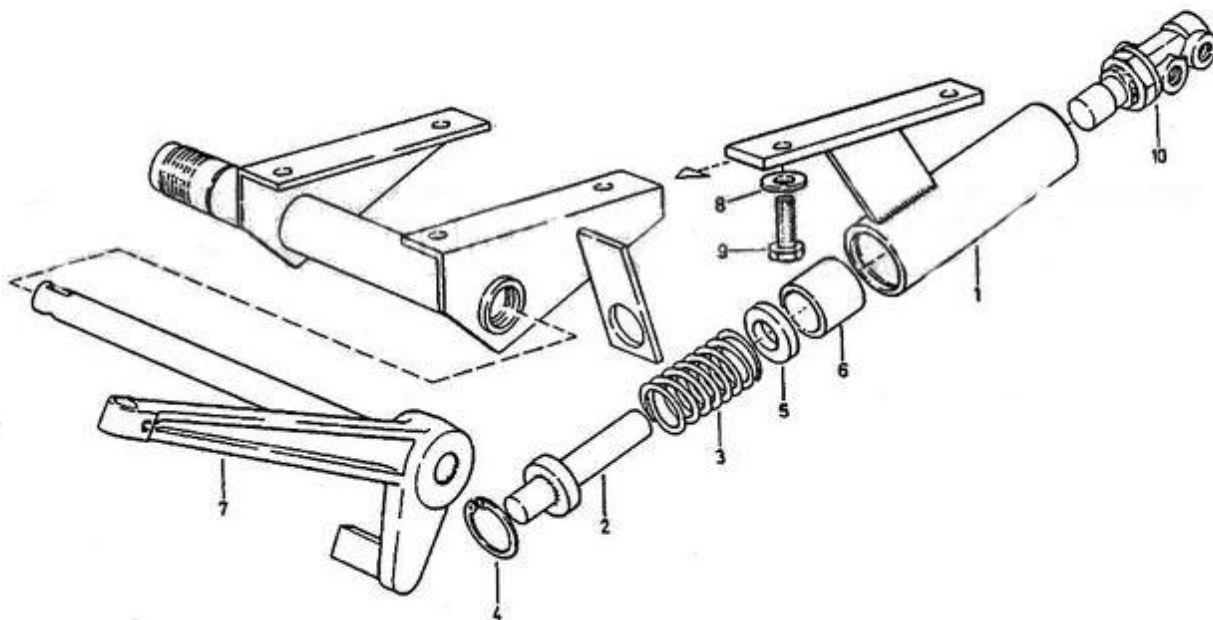
FAST Transmission RT11509C

sequence	name	part number
1	Hose	55523
2	Clip	19779
3	Elbow	12880
4	Hose	55522



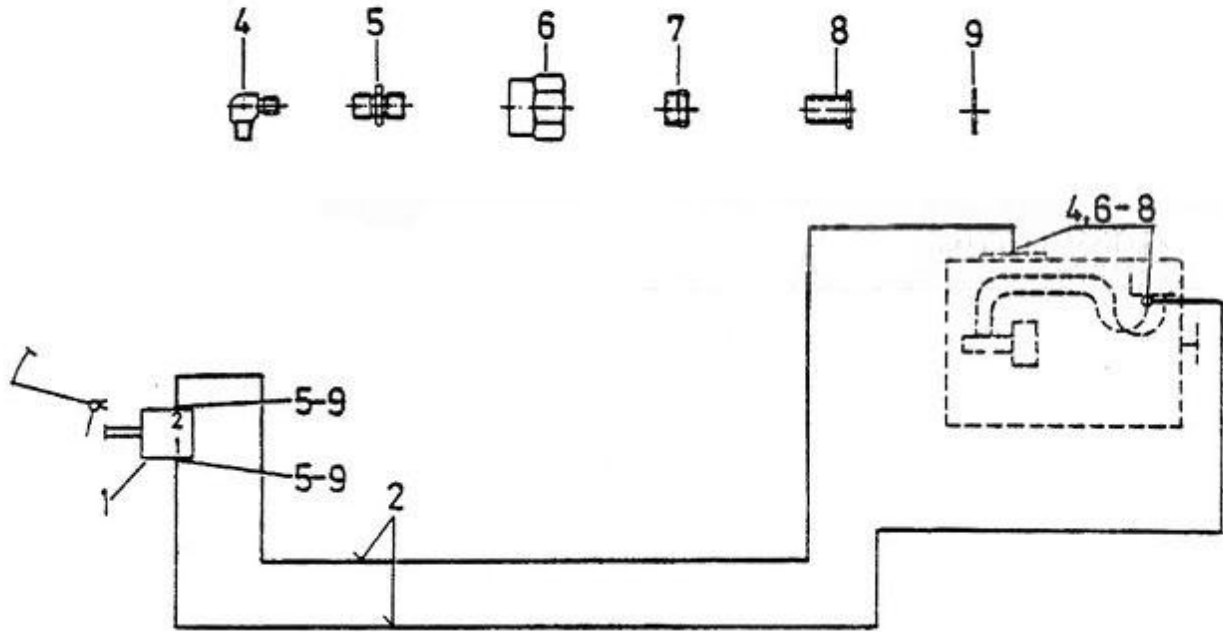
Pressure regulator		
FAST Transmission RT11509C		
sequence	name	part number
1	Air filter regulator assembly	a-4740
2	Pressure regulator body	19600
3	Filter	19670
4	O-ring	19953
5	O-ring	19671
6	Block	x14973
7	Bolt	x11217
8	Air pipe	55527
9	Air pipe	55518
10	Spare group	k-1698

Fuller SHIFTING TO CLUTCH BRAKE/Fuller 离合器制动器操纵机构



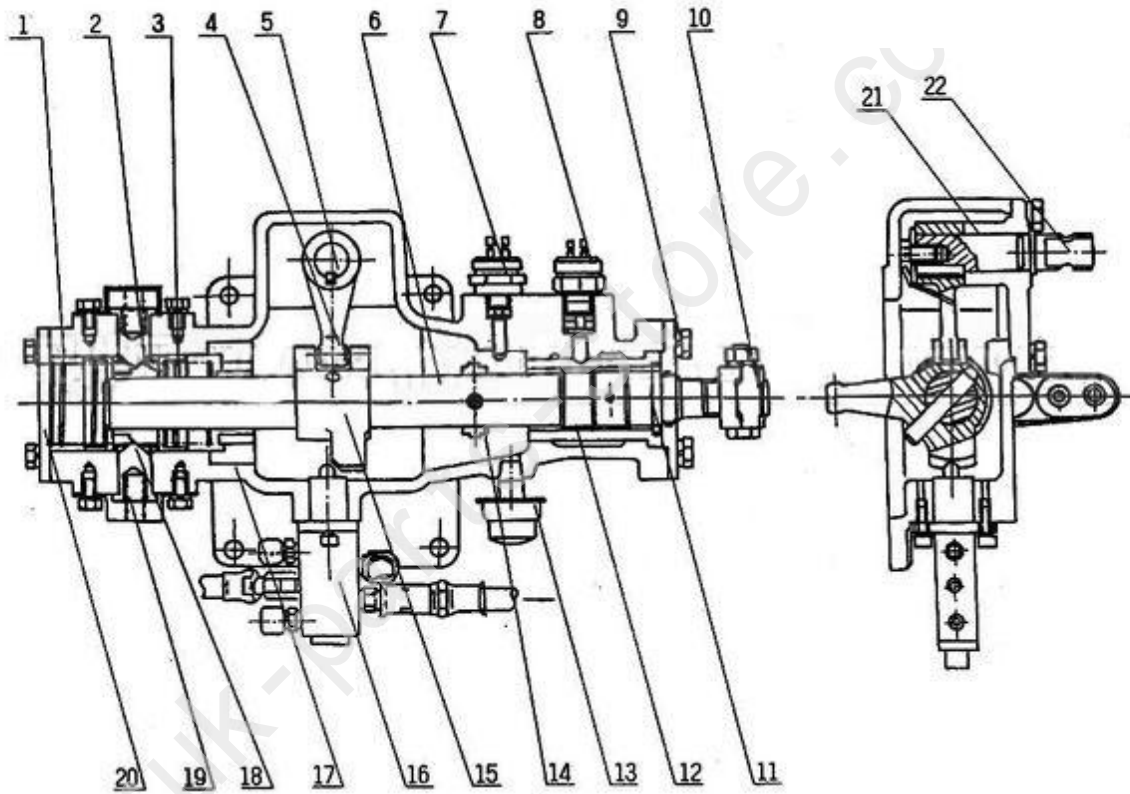
Clutch brake control mechanism		
FAST Transmission RT11509C		
sequence	name	part number
0	Chock	wg9112240109
1	Case	199112240114
2	Push rod	l-21-422-230
4	Collar	19000934190
5	Gasket	1-99-907-048
6	Spacer	19911240110
7	Clutch pedal	199112230035
8	Washer	13809230034
9	Bolt	190003802527
10	Valve	199100860031

Fuller AIR LINE FOR CLUTCH BRAKE/Fuller 变速器离合器制动器气路



Clutch brake gas circuit		
FAST Transmission RT11509C		
sequence	name	part number
1	Button valve	wg9000360150
2	Tubes	190003179782
3	Fittings	19112280111
4	Joint body	wg99112280014
5	Joints	190003559766
6	Fittings with nuts	190003559516
7	Bushing	190003559561
8	Bushing	199014280016
9	Gasket	190003098012

A4-21 Fuller DOUBLE LEVER DOUBLE H OPERATION C(Optional)/Fuller 双杆双 H 换挡控制机构(选用) Fig.A4-21



Double rod double H valve control device		
FAST Transmission RT11509C		
sequence	name	part number
0	Double rod double H valve shifting device	a-c03001-3
1	Spring	f99983
2	Positioning ring	f99675
4	Gear selector head	c03035-l
5	Flat key	c03038-1-l
6	Lateral shift lever	99679-3
7	Reverse switch	79100710068
8	AC switch	99012710041
9	Cover	c03033-1
10	Shift arm	fh5035-5
11	Shift adapter	c03032-l
12	Splined sleeve	c03031-l
13	Vent plug	15276
14	Reverse switch control block	f99681

15	Dial head	f99585-l
16	Double H valve	f99660
17	Double H control device housing	jsl00-1702051-1
17	Double H control device housing	f96194-3
18	Positioning of the plunger	f99670
19	Spring	f96037
20	Cover	f99666
21	Window Cover	c03036-1
22	Connector	c03035-l